

ROTAX®

ILLUSTRATED PARTS CATALOGUE

125 DD2 MAX EVO



ROTAX®

MODELS:

125 DD2 MAX EVO

MODEL 36.0125.210

BRP-Rotax GmbH & Co KG
Rotaxstraße 1
4623 Gunskirchen, Austria

T: + 43 7246 601 - 0
F: + 43 7246 6370
www.rotax-kart.com

Follow us:



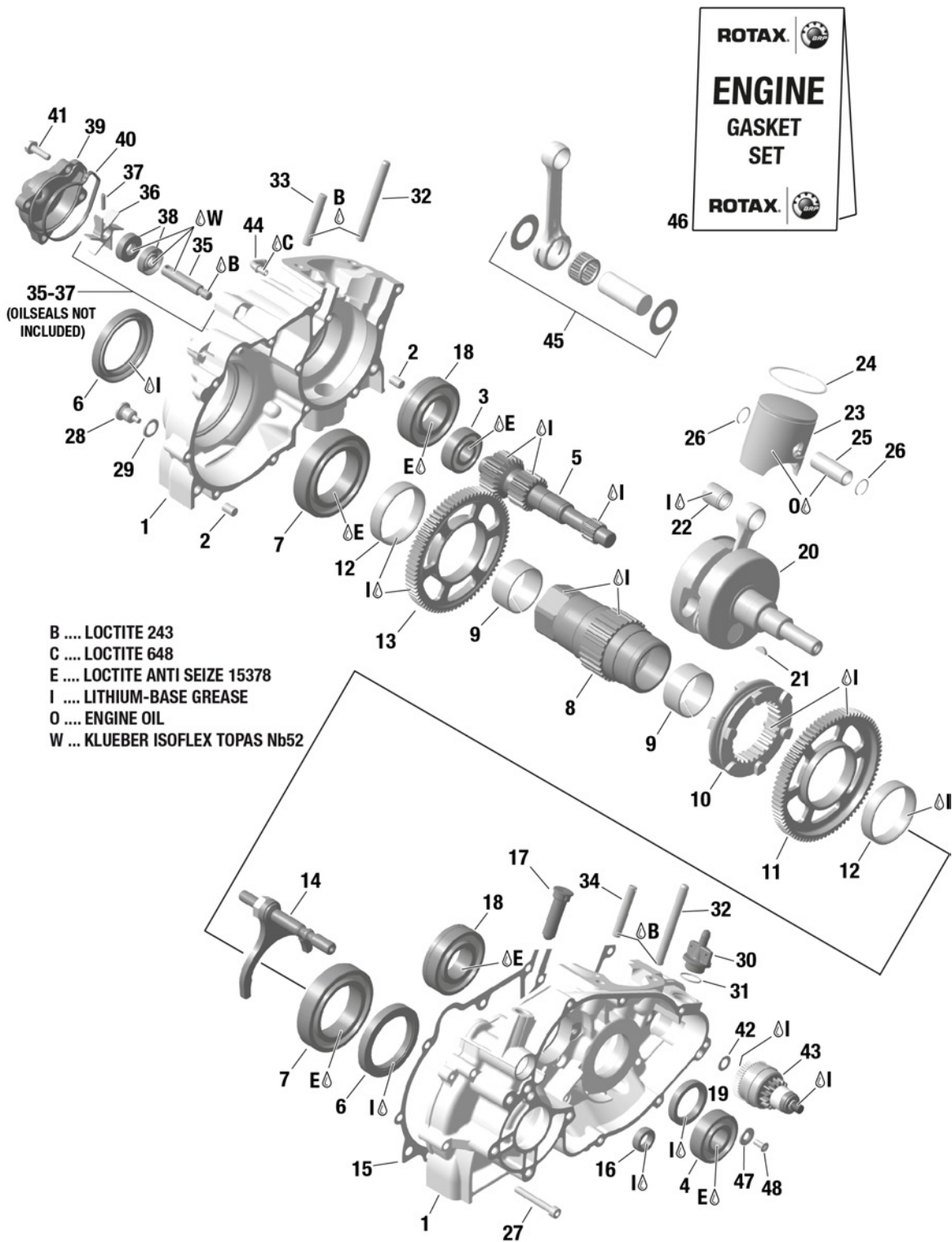
Table of Revision

| CHANGE | DATE | CHAPTER | # | PART# | DESCRIPTION |
|--------|------|---------|---|-------|-------------|
|--------|------|---------|---|-------|-------------|

Table of Content

| CHAPTER | DESCRIPTION | PAGE |
|---------|-------------------------------------------|------|
| 1 | CRANKCASE. DRIVETRAIN. GEARBOX | 4 |
| 2 | CYLINDER | 8 |
| 3 | E-RAVE SYSTEM | 12 |
| 4 | CENTRIFUGAL CLUTCH. PRIMARY BALANCE DRIVE | 16 |
| 5 | SHIFTING MECHANISM. TRANSMISSION | 20 |
| 6 | ELECTRONIC COMPONENTS | 24 |
| 7 | BATTERY. BATTERY CHARGER | 28 |
| 8 | WIRING HARNESS | 30 |
| 9 | CARBURETTOR. CARBURETTOR ACCESSORIES | 32 |
| 10 | RADIATOR. RADIATOR ACCESSORIES | 36 |
| 11 | INTAKE SILENCER. AIR FILTER | 38 |
| 12 | EXHAUST SYSTEM | 40 |
| 13 | EVO UPGRADE KIT IGNITION | 42 |
| 14 | EVO UPGRADE KIT E-EXHAUST VALVE | 46 |
| 15 | REPAIR TOOLS | 48 |
| 16 | SCRUTINEERING TOOLS | 50 |
| 17 | REAR TIRE PROTECTION SYSTEM | 52 |
| 18 | ACCESSORIES | 54 |
| 19 | SERVICE PRODUCTS | 56 |

1 CRANKCASE. DRIVETRAIN. GEARBOX



1 CRANKCASE. DRIVETRAIN. GEARBOX

| # | NEW | PART# | DESCRIPTION | QTY | CHANGE |
|----|-----|--------|------------------------------------------------------------------------|-----|--------|
| 1 | | 684236 | CRANK CASE ASSY. Ill.no. 1-2 For old and new paddle shift system | 1 | |
| 2 | | 632010 | PIN 8X12 DIN 5402 | 2 | |
| 3 | | 932030 | BALL BEARING 6203 C3. 17-40-12 | 1 | |
| 4 | | 932434 | BALL BEARING 6204 - E - TVH C3 | 1 | |
| 5 | | 620182 | PRIMARY SHAFT 24/19 T | 1 | |
| 6 | | 630500 | OIL SEAL ASL 50X68X8 NBR | 2 | |
| 7 | | 432330 | B. BEARING 6010 C3 50-80-16 | 2 | |
| 8 | | 620164 | HOLLOW SHAFT | 1 | |
| 9 | | 233120 | PLAIN BEARING 40X44X20 | 2 | |
| 10 | | 257362 | SHIFTING SLEEVE | 1 | |
| 11 | | 635703 | IDLE GEAR 81 T 1. Gear | 1 | |
| 12 | | 632666 | NEEDLE BEARING K 52X57X12 | 2 | |
| 13 | | 635713 | IDLE GEAR 77 T 2. Gear | 1 | |
| 14 | N | 257406 | SHIFT FORK ASSY. | 1 | |
| 15 | | 630522 | GASKET | 1 | |
| 16 | | 250455 | OIL SEAL 12X22X7 | 1 | |
| 17 | | 257422 | SHIFT RAIL DETENT PIN | 1 | |
| 18 | | 832583 | BALL BEARING 6206 TVH C4M 30-62-16 | 2 | |
| 19 | | 930695 | OIL-SEAL AS 30X42X7/7.5 NBR | 1 | |
| 20 | | 685097 | CRANKSHAFT ASSY. Ill.no. 20-21 Incl. Woddruff key | 1 | |
| 21 | | 246015 | WOODRUFF KEY 3X5 | 1 | |
| 22 | | 932027 | NEEDLE CAGE K 15X19X20 | 1 | |
| 23 | N | 295509 | PISTON ASSY. 53.92 MM Ill.no. 23-24 Smaller size | 1 | |
| 23 | N | 295510 | PISTON ASSY. 53.93 MM Ill.no. 23-24 Smaller size | 1 | |
| 23 | | 295511 | PISTON ASSY. 53.94 MM Ill.no. 23-24 Standard | 1 | |

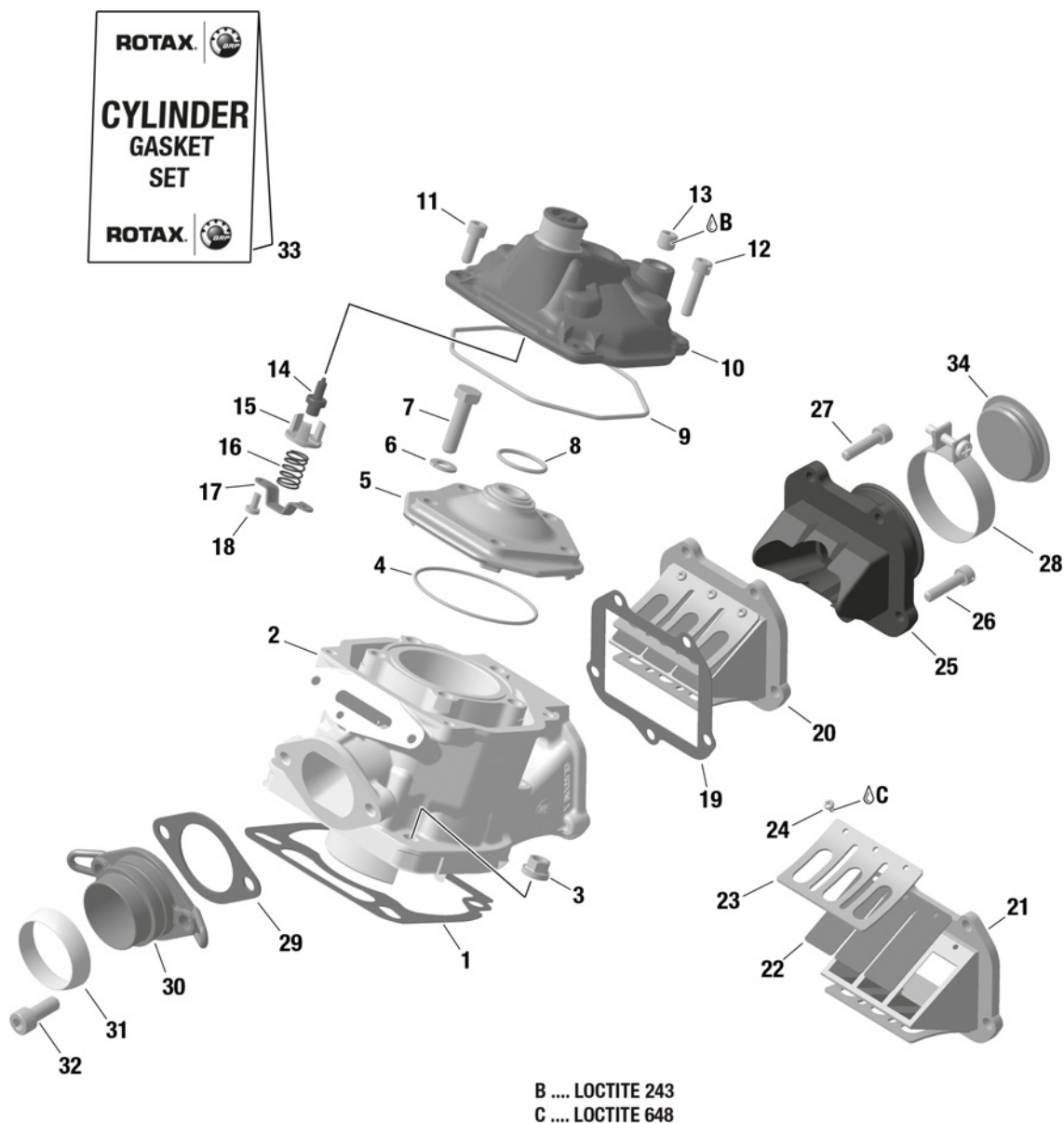
1 CRANKCASE. DRIVETRAIN. GEARBOX

| # | NEW | PART# | DESCRIPTION | QTY | CHANGE |
|----|-----|--------|------------------------------------------------------------------------------|-----|--------|
| 23 | | 295512 | PISTON ASSY. 53.95 MM Ill.no. 23-24 Standard | 1 | |
| 23 | | 295513 | PISTON ASSY. 53.96 MM Ill.no. 23-24 Standard | 1 | |
| 23 | | 295514 | PISTON ASSY. 53.97 MM Ill.no. 23-24 Oversize | 1 | |
| 23 | | 295515 | PISTON ASSY. 53.98 MM Ill.no. 23-24 Oversize | 1 | |
| 24 | | 215548 | RECTANGULAR RING IS2-54/49.4X1 | 1 | |
| 25 | | 216135 | PISTON PIN 15X10/12.5X45.6 | 1 | |
| 26 | | 945635 | CIRCLIP 15 Use only once | 2 | |
| 27 | | 241823 | ALLEN SCREW ISO 4762 - M6x45 - 8.8 Tightening torque 10 Nm | 12 | |
| 28 | | 241780 | MAGNETIC DRAIN PLUG M12X1.5 Tightening torque 20 Nm | 1 | |
| 29 | | 250640 | SEALING RING A 12X18-CU DIN 7603 | 1 | |
| 30 | | 241925 | AIR VENT SCREW M18X1.5 | 1 | |
| 31 | | 250890 | O-RING DIN 3771-17X1.5-N | 1 | |
| 32 | | 940787 | STUD M8X57/20 Tightening torque 5 Nm | 2 | |
| 33 | | 241382 | STUD M8X28/20 Tightening torque 5 Nm | 1 | |
| 34 | | 241387 | STUD M8X28/20 Tightening torque 5 Nm With hole. for sealing the engine | 1 | |
| 35 | | 620275 | WATERPUMP SHAFT ASSY. Ill.no. 35-37 Oil seals 230195 not included | 1 | |
| 35 | | xxx | WATERPUMP SHAFT Tighting torque 4 Nm ATTENTION: Left hand thread | 1 | |
| 36 | | xxx | IMPELLER | 1 | |
| 37 | | 229200 | DOWEL 4X16 | 1 | |
| 38 | | 230195 | OIL SEAL A 10X26X7 NBR | 2 | |
| 39 | | 222720 | WATER PUMP HOUSING | 1 | |

1 CRANKCASE. DRIVETRAIN. GEARBOX

| # | NEW | PART# | DESCRIPTION | QTY | CHANGE |
|----|-----|--------|--------------------------------------------------------------------------------------------------------|-----|--------|
| 40 | | 630770 | RUBBER RING 61.5X1.5X3.5 | 1 | |
| 41 | | 941251 | TAPTITE-SCREW M6X20 Tightening torque 7 Nm | 4 | |
| 42 | | 227945 | THRUST WASHER 8.5/15/0.5 | 1 | |
| 43 | | 294812 | STARTER REDUCTION GEAR ASSY. | 1 | |
| 44 | | 924802 | IMPULSE FITTING | 1 | |
| 45 | | 685011 | CRANKSHAFT REPAIR KIT | 1 | |
| 46 | | 296162 | GASKET SET ASSY. Oil seal (Chap. 03. Pos. 8) and exhaust gasket (Chap. 02. Pos. 31) not included | 1 | |
| 47 | N | 227280 | THRUST WASHER Recommended bearing fixation | 1 | |
| 48 | N | 940316 | COUNTERSUNK SCREW M5X12-5.8 Recommended bearing fixation | 1 | |

2 CYLINDER



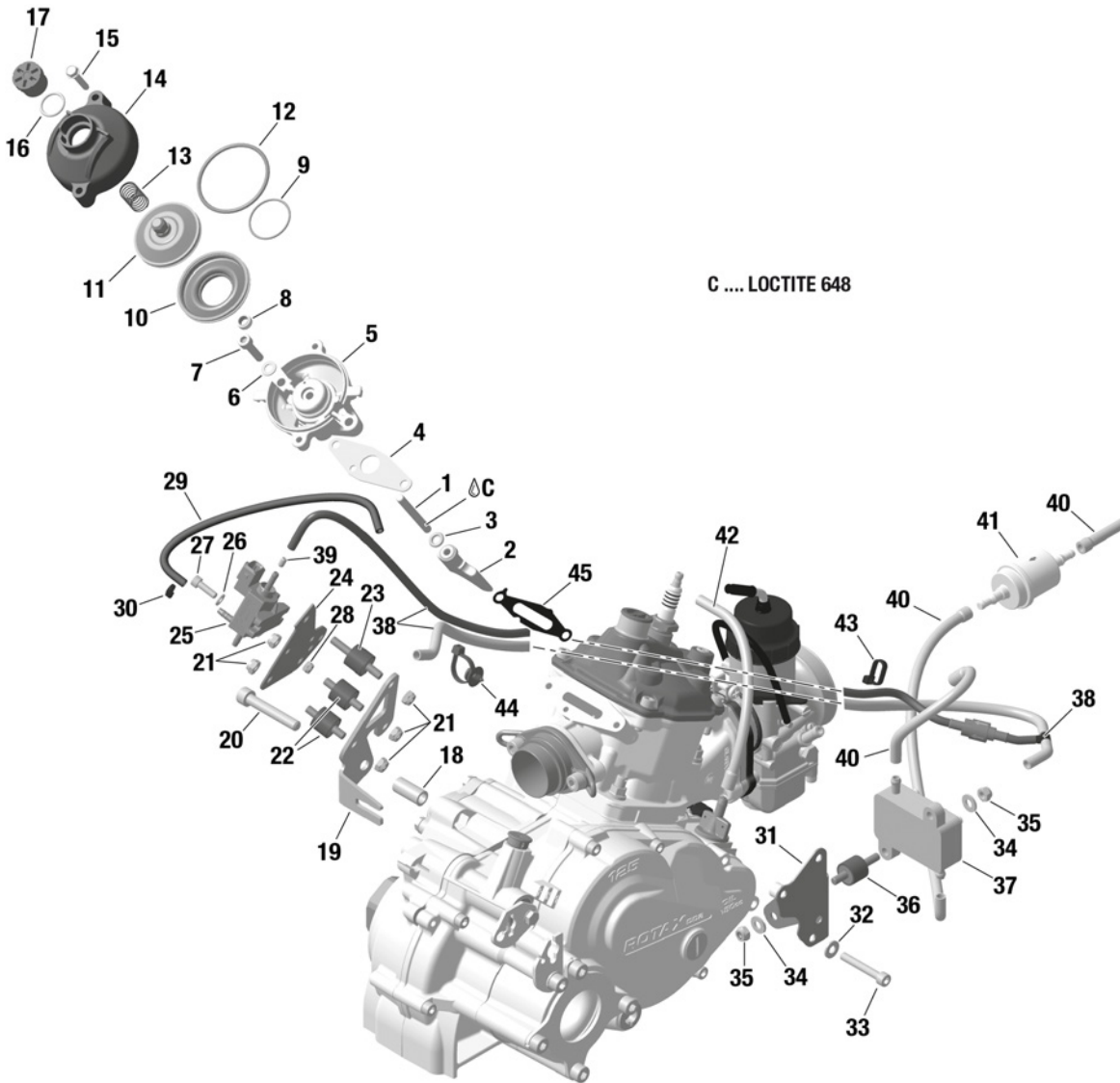
2 CYLINDER

| # | NEW | PART# | DESCRIPTION | QTY | CHANGE |
|----|-----|--------|---------------------------------------------------------------------------------------------------------------------------|------|--------|
| 1 | | 650483 | GASKET 0.4 MM | 0.01 | |
| 1 | | 650482 | GASKET 0.8 MM | 0.01 | |
| 1 | | 650481 | GASKET 0.5 MM | 0.01 | |
| 1 | | 650480 | GASKET 0.3 MM | 0.01 | |
| 1 | | 431337 | GASKET 0.2 MM Gasket for racing purpose only To ensure proper sealing please use Silicone Compound Grease 897061 | 0.01 | |
| 2 | | 613932 | CYLINDER NI SI C PLATED A: 54.000 - 54.010 mm AB: 54.010 - 54.015 mm B: 54.015 - 54.025 mm | 1 | |
| 3 | | 242707 | COLLAR NUT M8 Tightening torque 24 Nm | 4 | |
| 4 | | 250160 | O-RING 64X2 | 1 | |
| 5 | | 223386 | COMBUSTION CHAMBER INSERT | 1 | |
| 6 | | 945832 | LOCK WASHER DIN 128-A8-FST | 5 | |
| 7 | | 940487 | HEX.SCREW ISO 4017 - M8X30 - 10.9 Tightening torque 30 Nm | 5 | |
| 8 | | 430782 | O-RING DIN 3771-23.3X2.4-N. MVQ 60 | 1 | |
| 9 | | 250280 | O-RING 105X2.5 | 1 | |
| 10 | | 613104 | CYLINDER HEAD COVER RED | 1 | |
| 11 | | 241237 | ALLEN SCREW ISO 4762 - M6x16 - 8.8 Tightening torque 10 Nm | 3 | |
| 12 | | 641361 | ALLEN SCREW M6X25 Tightening torque 10 Nm With hole. for sealing the engine | 1 | |
| 13 | | 641323 | PLUG SCREW M10X1 DIN 906 - MK Tightening torque 10 Nm | 1 | |
| 14 | | 222125 | THERMOSTAT. 45 DEGR. | 1 | |
| 15 | | 222175 | THERMOSTAT HOLDER | 1 | |
| 16 | | 239950 | COMPRESSION SPRING | 1 | |
| 17 | | 222202 | THERMOSTAT RETAINING BRACKET | 1 | |
| 18 | | 240196 | TAPTITE-SCREW M4X8 Tightening torque 3 Nm | 2 | |
| 19 | | 250523 | GASKET | 1 | |
| 20 | | 224389 | REED VALVE ASSY. Prod. 2019 Ill.no. 20-24 | 1 | |

2 CYLINDER

| # | NEW | PART# | DESCRIPTION | QTY | CHANGE |
|----|-----|--------|-----------------------------------------------------------------------------------------------------------------|-----|--------|
| 20 | N | 224380 | REED VALVE ASSY. Prod. 2020 Ill.no. 20-24 | 1 | |
| 21 | | xxx | REED VALVE Not available as spare part; Use Reed valve assy. 224389 | 1 | |
| 22 | | 224431 | REED PETAL | 2 | |
| 23 | | xxx | REED PEDAL STOP | 1 | |
| 24 | | 240351 | OVAL HEAD SCREW M3X6 DIN 7985 Tightening torque 1.5-2 Nm | 6 | |
| 24 | N | 241035 | TORX-TR-SCREW 3X6 - VIBRALOK Vibralok FOR REED BLOCK 224380 ONLY | 1 | |
| 25 | | 267411 | INTAKE SOCKET | 1 | |
| 26 | | 641361 | ALLEN SCREW M6X25 Tightening torque 7 Nm With hole. for sealing the engine | 1 | |
| 27 | N | 840866 | ALLEN SCREW ISO 4762 - M6x25 - 8.8 Tightening torque 7 Nm | 4 | |
| 28 | | 251850 | HOSE CLAMP 51 | 1 | |
| 29 | | 250271 | GASKET | 1 | |
| 30 | | 273190 | EXHAUST SOCKET | 1 | |
| 31 | | 450360 | EXHAUST GASKET | 1 | |
| 32 | | 240072 | ALLEN SCREW ISO 4762 - M8x20 - 8.8 Tightening torque 20 Nm | 2 | |
| 33 | | 296161 | GASKET SET ASSY. CYLINDER Oil seal (Chap. 03. Pos. 8) and exhaust gasket (Chap. 02. Pos. 31) not included | 1 | |
| 34 | N | 860891 | DISK PLUG Only for transportation Remove before operation! | 1 | |

3 E-RAVE SYSTEM



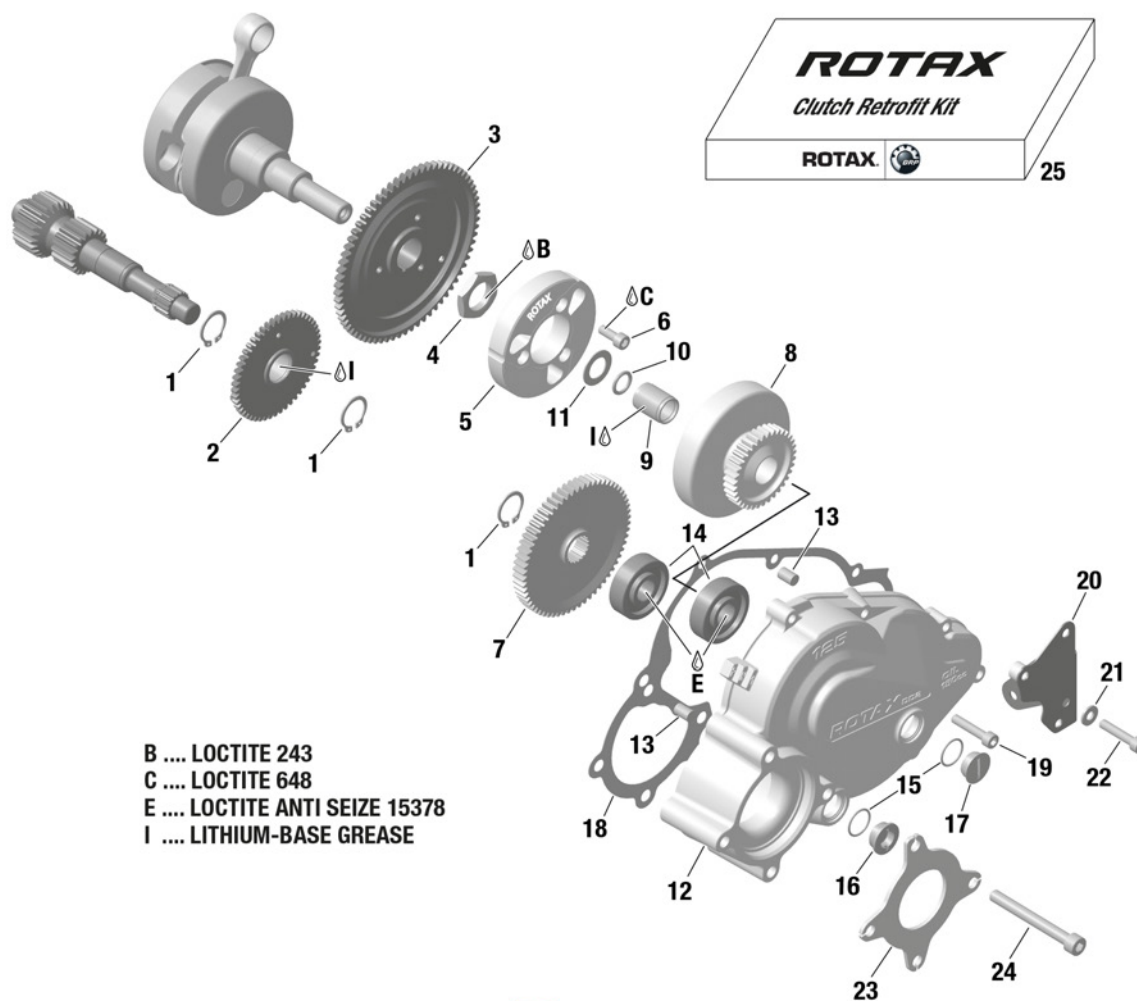
3 E-RAVE SYSTEM

| # | NEW | PART# | DESCRIPTION | QTY | CHANGE |
|----|-----|--------|---------------------------------------------------------------|-----|--------|
| 1 | | 441358 | STUD M6X52.5 MK Tightening torque 10 Nm | 1 | |
| 2 | | 253725 | EXHAUST VALVE | 1 | |
| 3 | | 230261 | O-RING 6X2.5 NBR 70 RED | 1 | |
| 4 | | 250232 | GASKET | 1 | |
| 5 | | 253385 | VALVE ROD HOUSING KPL. | 1 | |
| 6 | | 845020 | SPRING WASHER B6 | 2 | |
| 7 | | 840866 | ALLEN SCREW ISO 4762 - M6x25 - 8.8 Tightening torque 10 Nm | 2 | |
| 8 | | 930500 | OIL SEAL 6X11X3/4.5 | 1 | |
| 9 | | 838255 | HOSE SPRING 70-1.7-0.3 | 1 | |
| 10 | | 260723 | BELLOW | 1 | |
| 11 | | 854440 | EXHAUST VALVE PISTON Tightening torque 1-2 Nm | 1 | |
| 12 | | 939280 | HOSE SPRING 134-3.0-0.65 | 1 | |
| 13 | | 239952 | COMPRESSION SPRING 48.5/0.8 MM | 1 | |
| 14 | | 911559 | VALVE COVER | 1 | |
| 15 | | 241271 | TAPTITE-SCREW M5X25 | 2 | |
| 16 | | 430220 | O-RING 15.9-2.3 | 1 | |
| 17 | | 241220 | ADJUSTMENT SCREW | 1 | |
| 18 | | 247980 | DISTANCE SLEEVE 8.2/12/25.5 | 1 | |
| 19 | | 651067 | RETAINING PLATE | 1 | |
| 20 | | 841567 | ALLEN SCREW ISO 4762 - M8X50 - 8.8 Tightening torque 24 Nm | 1 | |
| 21 | | 842041 | LOCK NUT M6 - 6.6 | 5 | |
| 22 | | 660522 | RUBBER BUFFER 18X15XM6 | 2 | |
| 23 | | 660520 | RUBBER BUFFER 18X15XM6 | 1 | |
| 24 | | 651925 | MOUNTING PLATE | 1 | |
| 25 | | 664630 | SOLENOID VALVE | 1 | |
| 26 | | 927574 | WASHER 5.3 DIN 125 | 2 | |
| 27 | | 840514 | ALLEN SCREW ISO 4762 - M5x16 - 8.8 | 2 | |
| 28 | | 842032 | LOCK NUT M5-6.6 | 2 | |
| 29 | | 660575 | PRESSURE LINE 220 MM | 1 | |
| 30 | | 866718 | TIE WRAP 94x2.5 MM | 1 | |
| 31 | | xxx | RETAINING PLATE ASSY. See Chap. 4. Pos. 20 | 1 | |
| 32 | | xxx | WASHER 6.4 DIN 134 See Chap. 4. Pos. 21 | 2 | |

3 E-RAVE SYSTEM

| # | NEW | PART# | DESCRIPTION | QTY | CHANGE |
|----|-----|--------|------------------------------------------------------|-----|--------|
| 33 | | xxx | ALLEN SCREW M6x30 DIN 912 See Chap. 4. Pos. 22 | 2 | |
| 34 | | 244211 | WASHER 6.4 DIN 134 | 4 | |
| 35 | | 842041 | LOCK NUT M6 - 6.6 | 4 | |
| 36 | | 660520 | RUBBER BUFFER 18X15XM6 | 2 | |
| 37 | | 994483 | MIKUNI-FUEL PUMP | 1 | |
| 38 | | 651010 | HOSE PACKAGE RAVE CONTROL UNIT Ill.no. 38-39 | 1 | |
| 40 | | xxx | HOSE A5x8/2500mm See Chap. 9. Pos. 50 | 1 | |
| 41 | | 274161 | FUEL FILTER WITH ROTAX PRINT | 1 | |
| 42 | | xxx | HOSE A5x5/2500mm See Chap. 9. Pos. 50 | 1 | |
| 43 | | 866714 | TIE WRAP 142x3.2 MM | 1 | |
| 44 | | 951341 | TIE WRAP WITH MOUNT 202X4.6 | 1 | |
| 45 | N | 251336 | SUPPORT PLATE For engines with RAVE configuration | 1 | |

4 CENTRIFUGAL CLUTCH. PRIMARY BALANCE DRIVE



B LOCTITE 243
 C LOCTITE 648
 E LOCTITE ANTI SEIZE 15378
 I LITHIUM-BASE GREASE

RECOMMENDED

XPS® KART TEC DD2 KART GEAR OIL
 Part No: 25473 Contents: 1000 ml



4 CENTRIFUGAL CLUTCH. PRIMARY BALANCE

DRIVE

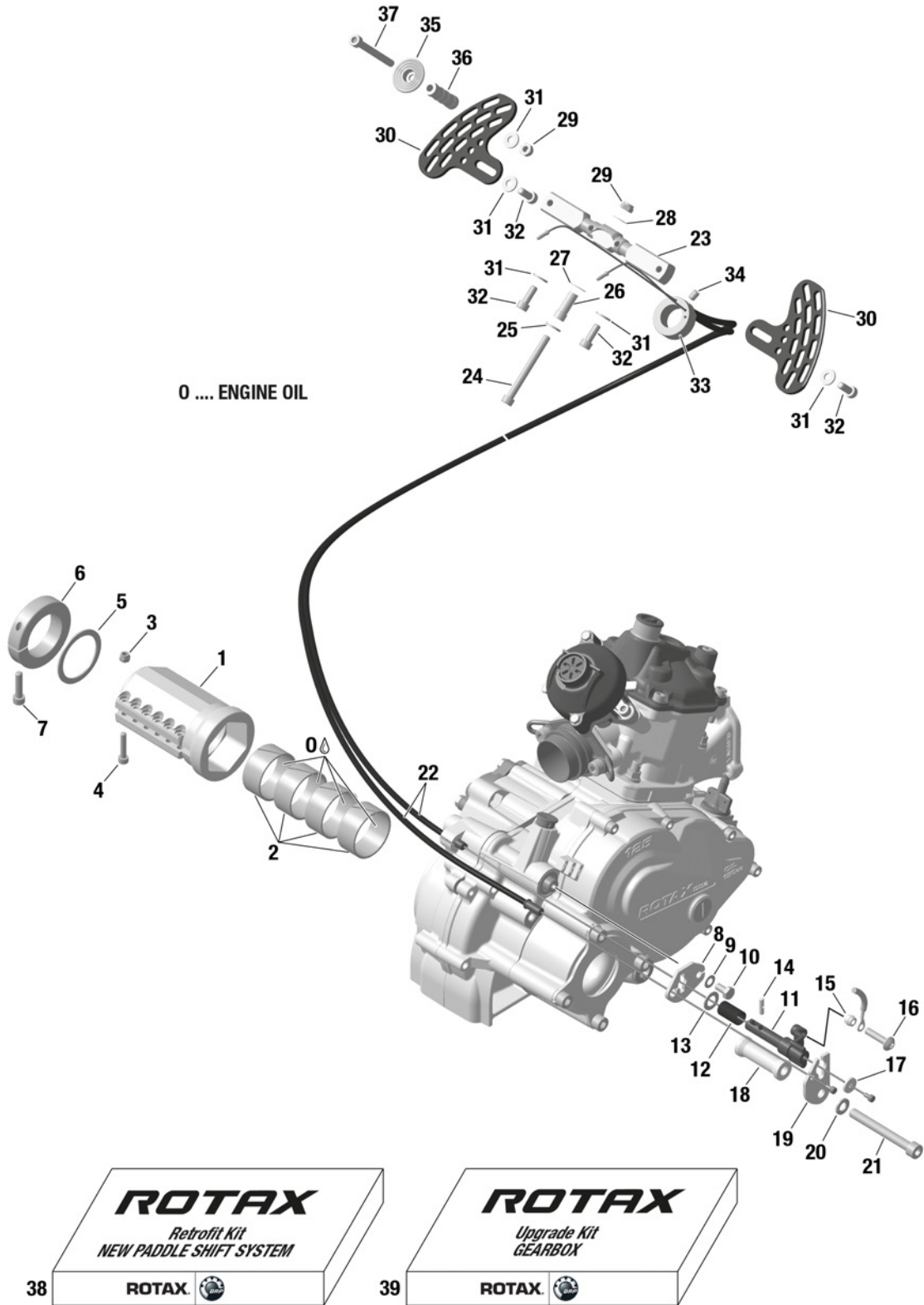
| # | NEW | PART# | DESCRIPTION | QTY | CHANGE |
|---|-----|--------|------------------------------------------------------------------------------------------------|-----|--------|
| 1 | | 945664 | RETAINING RING WITH LUG DIN 983-20X1.2 | 3 | |
| 2 | N | 635749 | BALANCE GEAR 50 T ASSY. Reinforced configuration INSTALL IN COMBINATION WITH 434844 ONLY | 1 | |
| 3 | N | 434844 | STARTER GEAR 70 T ASSY. Reinforced configuration INSTALL IN COMBINATION WITH 635749 ONLY | 1 | |
| 4 | | 242873 | HEX.NUT M22X1.5 H=6 Tightening torque 180 Nm | 1 | |
| 5 | | 659905 | CLUTCH | 1 | |
| 6 | | 640901 | ALLEN SCREW M6X16 DIN 912 Tightening torque 17 Nm | 3 | |
| 7 | | 435541 | SECONDARY GEAR 65 T Optional | 1 | |
| 7 | | 435542 | SECONDARY GEAR 64 T Optional | 1 | |
| 7 | | 435543 | SECONDARY GEAR 63 T Optional | 1 | |
| 7 | | 435544 | SECONDARY GEAR 62 T Standard | 1 | |
| 7 | | 435545 | SECONDARY GEAR 61 T Optional Secondary Gear | 1 | |
| 7 | | 435546 | SECONDARY GEAR 60 T Optional | 1 | |
| 7 | | 435547 | SECONDARY GEAR 59 T Optional Secondary Gear | 1 | |
| 8 | | 659922 | CLUTCH W. PRIMARY DRIVE GEAR 32T Optional | 1 | |
| 8 | | 659920 | CLUTCH W. PRIMARY DRIVE GEAR 34T Optional | 1 | |
| 8 | | 659928 | CLUTCH W. PRIMARY DRIVE GEAR 38T Optional | 1 | |
| 8 | | 659927 | CLUTCH W. PRIMARY DRIVE GEAR 37T Optional | 1 | |
| 8 | | 659926 | CLUTCH W. PRIMARY DRIVE GEAR 36T Optional | 1 | |
| 8 | | 659924 | CLUTCH W. PRIMARY DRIVE GEAR 35T Standard | 1 | |
| 8 | | 659923 | CLUTCH W. PRIMARY DRIVE GEAR 33T Optional | 1 | |

4 CENTRIFUGAL CLUTCH. PRIMARY BALANCE

DRIVE

| # | NEW | PART# | DESCRIPTION | QTY | CHANGE |
|----|-----|--------|---------------------------------------------------------------|-----|--------|
| 9 | | 632410 | NEEDLE CAGE 15X19X24 | 1 | |
| 10 | | 950815 | O-RING DIN 3771-12X2.5-N. NBR 70 | 1 | |
| 11 | | 927057 | THRUST WASHER 15.2/25/1 | 1 | |
| 12 | | 610643 | CLUTCH COVER | 1 | |
| 13 | | 632010 | PIN 8X12 DIN 5402 | 2 | |
| 14 | | 232291 | BALL BEARING 6302 TN9C3/15-42-13 | 2 | |
| 15 | | 250890 | O-RING DIN 3771-17X1.5-N | 2 | |
| 16 | | 240820 | OIL LEVEL SCREW M18X1.5 | 1 | |
| 17 | | 241800 | PLUG SCREW M18X1.5 | 1 | |
| 18 | | 630512 | GASKET | 1 | |
| 19 | | 840888 | ALLEN SCREW ISO 4762 - M6x30 - 8.8 Tightening torque 10 Nm | 4 | |
| 20 | | 651056 | RETAINING PLATE ASSY. | 1 | |
| 21 | | 244211 | WASHER 6.4 DIN 134 | 2 | |
| 22 | | 241956 | ALLEN SCREW M6X40 ISO 4762-8.8 MC Tightening torque 10 Nm | 2 | |
| 23 | | 251335 | SUPPORT PLATE | 1 | |
| 24 | | 841991 | ALLEN SCREW M8X70 Tightening torque 22 Nm | 4 | |
| 25 | | 281723 | RETROFIT KIT CLUTCH 125 MAX DD2 | 1 | |

5 SHIFTING MECHANISM. TRANSMISSION



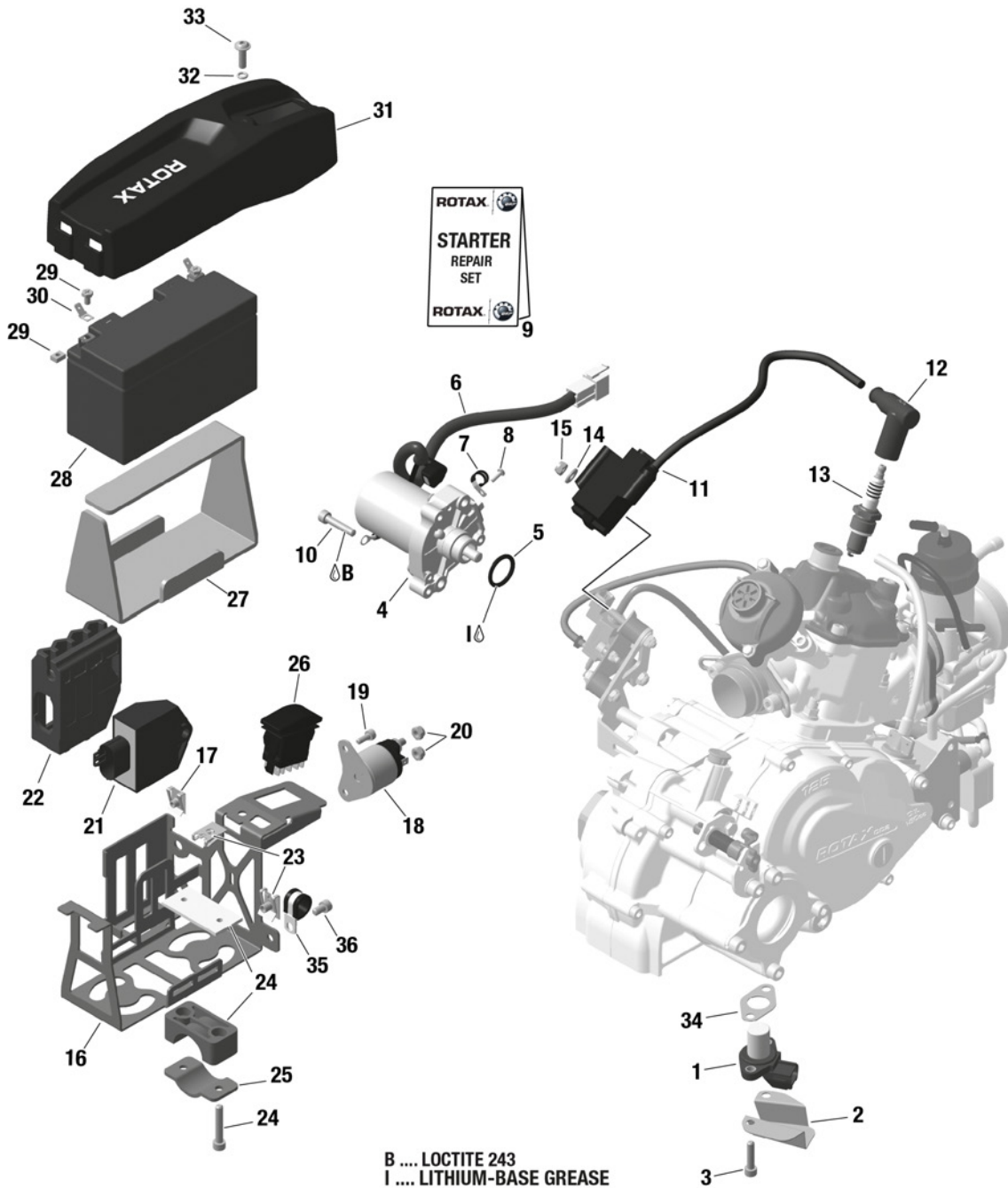
5 SHIFTING MECHANISM. TRANSMISSION

| # | NEW | PART# | DESCRIPTION | QTY | CHANGE |
|----|-----|--------|---------------------------------------------------------------|-----|--------|
| 1 | | 281870 | COUPLING FLANGE SET Ill.no. 1-4 | 1 | |
| 1 | | xxx | COUPLING FLANGE | 1 | |
| 2 | | 233120 | PLAIN BEARING 40X44X20 | 4 | |
| 3 | | 942025 | LOCK NUT DIN-982 M5-8 | 6 | |
| 4 | | 940882 | ALLEN SCREW ISO 4762 - M5x30 - 8.8 | 6 | |
| 5 | | 427281 | THRUSTWASHER 40/50/1.5 | 1 | |
| 6 | | 251740 | CLAMPING RING | 1 | |
| 7 | | 840866 | ALLEN SCREW ISO 4762 - M6x25 - 8.8 Tightening torque 10 Nm | 1 | |
| 8 | | 251406 | RETAINING PLATE | 1 | |
| 9 | | 845020 | SPRING WASHER B6 | 1 | |
| 10 | | 240382 | HEX. SCREW ISO 4017 - M6X12 - 8.8 Tightening torque 10 Nm | 1 | |
| 11 | | 660538 | SHIFT CONTACT ASSY. Ill.no. 11-14 | 1 | |
| 12 | | xxx | COMPRESSION SPRING Dm11.3 D1.4 L59.0 | 1 | |
| 13 | | xxx | THRUST WASHER | 1 | |
| 14 | | xxx | LOCATING PIN | 1 | |
| 15 | | 974531 | FUEL TUBE 8 MM | 1 | |
| 16 | | 940431 | PLASTITE SCREW 6X25 | 1 | |
| 17 | | 626770 | WASHER 3.8/14/2 | 1 | |
| 18 | | 847482 | SPACER | 1 | |
| 19 | | 251521 | SHIFT CONTACT GUIDANCE | 1 | |
| 20 | | 945832 | LOCK WASHER DIN 128-A8-FST | 1 | |
| 21 | | 841991 | ALLEN SCREW M8X70 Tightening torque 22 Nm | 1 | |
| 22 | | 297134 | CABLE BOWDEN ASSY. | 1 | |
| 23 | | 257990 | CONTROL WHIP | 1 | |
| 24 | | 240373 | ALLEN SCREW ISO 4762 - M6x60 - 8.8 | 1 | |
| 25 | | 244211 | WASHER 6.4 DIN 134 | 1 | |
| 26 | | 247440 | SPACER | 1 | |
| 27 | | 227945 | THRUST WASHER 8.5/15/0.5 | 1 | |
| 28 | | 845020 | SPRING WASHER B6 | 1 | |
| 29 | | 842041 | LOCK NUT M6 - 6.6 | 1 | |
| 30 | | 657010 | CONTROL LEVER | 2 | |
| 31 | | 244211 | WASHER 6.4 DIN 134 | 4 | |

5 SHIFTING MECHANISM. TRANSMISSION

| # | NEW | PART# | DESCRIPTION | QTY | CHANGE |
|----|-----|--------|-------------------------------------------------|------|--------|
| 32 | | 241237 | ALLEN SCREW ISO 4762 - M6x16 - 8.8 | 4 | |
| 33 | | 651510 | CABLE SUPPORT | 1 | |
| 34 | | 841771 | SET SCREW M6X8 | 1 | |
| 35 | | 657030 | THRUST WASHER Optional | 0.01 | |
| 36 | | 647190 | SPACER Optional | 0.01 | |
| 37 | | 240373 | ALLEN SCREW ISO 4762 - M6x60 - 8.8 Optional | 0.01 | |
| 38 | | 281850 | RETROFIT KIT PADDLE SHIFT S. 125 MAX DD2 DD2 | 1 | |
| 39 | | 281855 | RETROFIT KIT GEARBOX 125 MAX DD2 | 1 | |

6 ELECTRONIC COMPONENTS



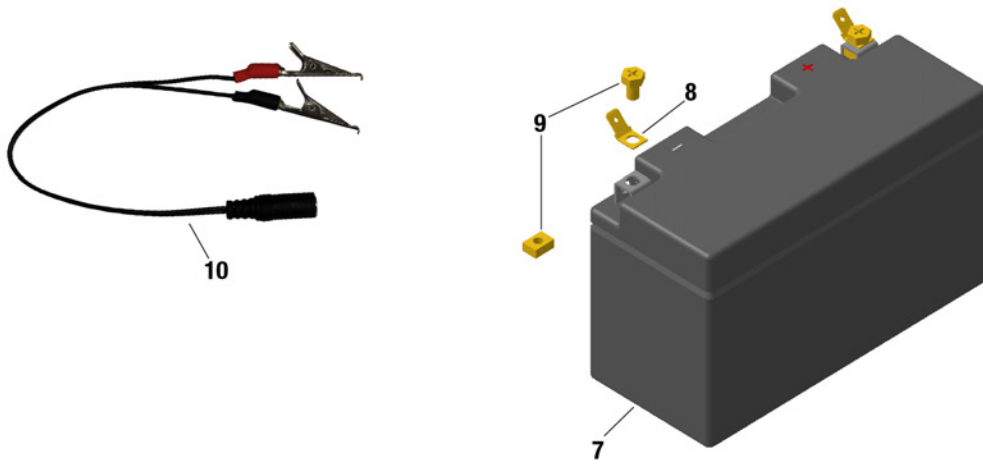
6 ELECTRONIC COMPONENTS

| # | NEW | PART# | DESCRIPTION | QTY | CHANGE |
|----|-----|--------|--------------------------------------------------------------------------------------------------------------------------------------------|-----|--------|
| 1 | | 265560 | PICK UP SENSOR Incl. rubber ring; rubber ring not available separately | 1 | |
| 2 | | 251531 | PROTECTION SHIELD | 1 | |
| 3 | | 840866 | ALLEN SCREW ISO 4762 - M6x25 - 8.8 Tightening torque 10 Nm | 2 | |
| 4 | | 294805 | ELECTRIC STARTER ASSY. Ill.no. 4-8 | 1 | |
| 5 | | xxx | O-RING Included in repair kit E-starter 281262 | 1 | |
| 6 | | 265532 | CABLE ASSY. | 1 | |
| 7 | | 651940 | CABLE CLAMP | 1 | |
| 8 | | xxx | SCREW M3x8 Included in repair kit E-starter 281262 | 2 | |
| 9 | | 281262 | REPAIR KIT (ELECTRIC STARTER) 2 x SCREW M3x8 2 x COMPRESSION SPRING 1 x CARBON BRUSH LEFT 1 x CARBON BRUSH RIGHT 1 x O-RING | 1 | |
| 10 | | 840888 | ALLEN SCREW ISO 4762 - M6x30 - 8.8 Tightening torque 10 Nm | 2 | |
| 11 | | 666825 | IGNITION COIL Ill.no. 11-12 With spark plug cap 866708 (black) | 1 | |
| 11 | | 666826 | IGNITION COIL Ill.no. 11-12 With spark plug cap 866707 (red) | 1 | |
| 12 | | 866707 | SPARK PLUG CONNECTOR Standard (red). short cap | 1 | |
| 12 | | 866708 | SPARK PLUG CONNECTOR Optional (black) | 1 | |
| 13 | | 298102 | SPARK PLUG NGK GR8DI 125 MAX evo serial production | 1 | |
| 13 | | 298103 | SPARK PLUG NGK GR9DI Optional | 1 | |
| 14 | | 244211 | WASHER 6.4 DIN 134 | 1 | |
| 15 | | 842041 | LOCK NUT M6 - 6.6 | 1 | |
| 16 | N | 251129 | BATTERY CLAMP With additional p-clamp mounting | 1 | |
| 17 | | 842680 | SHEET NUT M5 | 2 | |

6 ELECTRONIC COMPONENTS

| # | NEW | PART# | DESCRIPTION | QTY | CHANGE |
|----|-----|--------|--------------------------------------------------------------------------------------------------------|-----|--------|
| 18 | | 992819 | STARTER RELAY ASSY. | 1 | |
| 19 | | 640542 | ALLEN SCREW ISO 4762 - M5x12 - 8.8 | 2 | |
| 20 | | 842041 | LOCK NUT M6 - 6.6 | 2 | |
| 21 | | 666816 | ELECTRONIC BOX DD2 | 1 | |
| 22 | | 201900 | RUBBER PAD | 1 | |
| 23 | | 242141 | SHEET NUT M6 | 1 | |
| 24 | | 251254 | PIPE CLAMP SET Ill.no. 24-25 For tube diameter 32 mm only | 2 | |
| 25 | | 251360 | PIPE CLAMP | 1 | |
| 26 | | 264854 | MULTIPLE FUNCTION SWITCH | 1 | |
| 27 | | 660767 | RUBBER PAD | 1 | |
| 28 | | 265516 | BATTERY 12 V-6.5Ah UNFILLED RTX cannot be ordered via airfreight | 1 | |
| 29 | | 481380 | BATTERY FIXATION KIT | 1 | |
| 30 | | 864950 | FLAT CONNECTOR | 2 | |
| 31 | | 201602 | BATTERY COVER | 1 | |
| 32 | | 831929 | O-RING 5X2 | 1 | |
| 33 | | 440761 | ALLEN SCREW W. ROUNDED FLANGE HEAD M6X20 | 1 | |
| 34 | | 431500 | GASKET Use for crank cases with non-machined pick-up sensor flange (before crank case 295915) | 1 | |
| 35 | N | 851492 | CABLE CLAMP 15/M6 For attachment of the wiring harness to the battery holder | 1 | |
| 36 | | 241081 | ALLEN SCREW M6X10 DIN 912 For attachment of the wiring harness to the battery holder | 1 | |

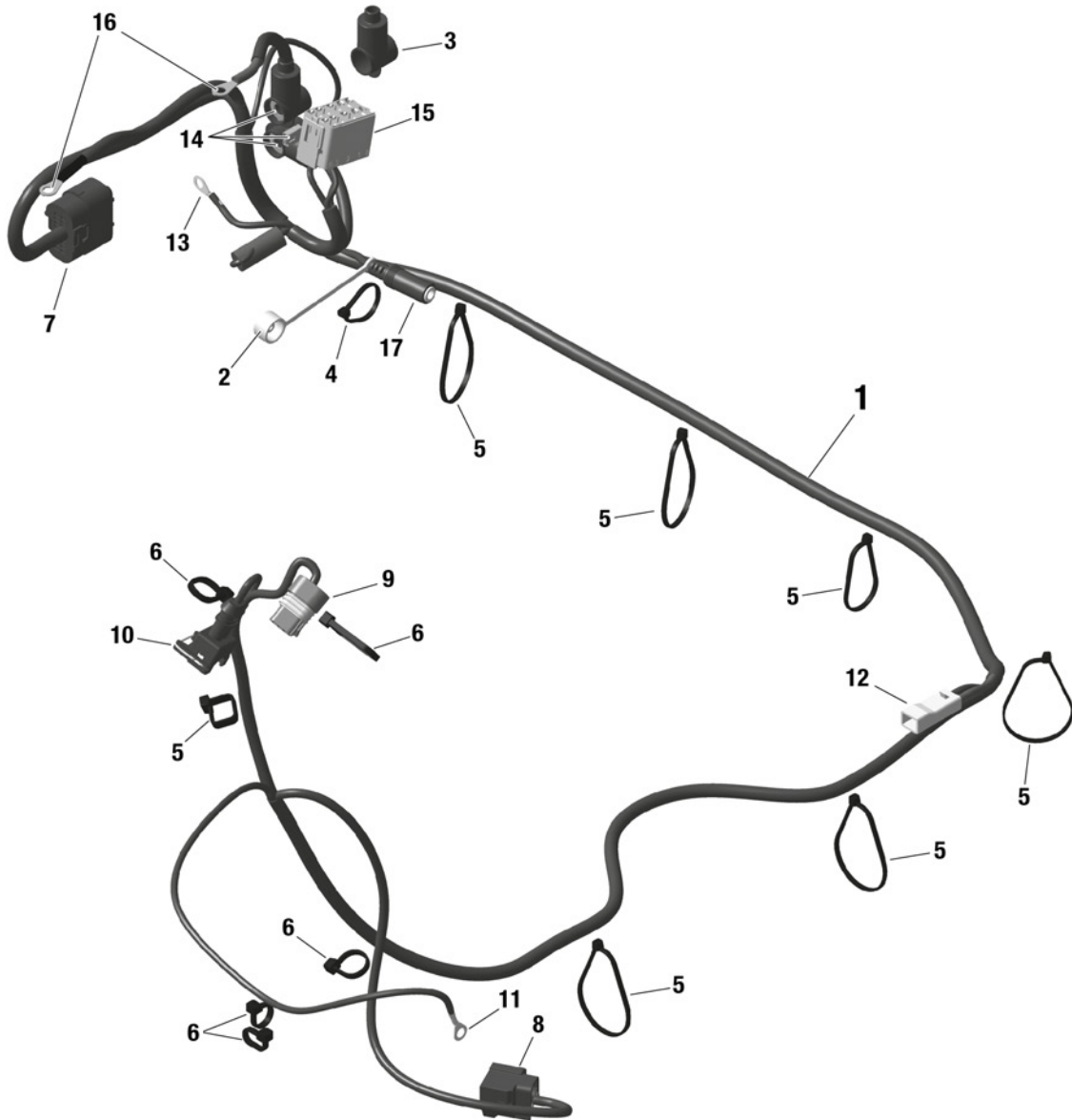
7 BATTERY. BATTERY CHARGER



7 BATTERY. BATTERY CHARGER

| # | NEW | PART# | DESCRIPTION | QTY | CHANGE |
|----|-----|--------|------------------------------------------------------------------------------------|-----|--------|
| 1 | | 265148 | BATTERY CHARGER | 1 | |
| 2 | | 266018 | ADAPTER-ROW | 1 | |
| 3 | | 266010 | ADAPTER-EURO | 1 | |
| 4 | | 266012 | ADAPTER-UK | 1 | |
| 5 | | 266014 | ADAPTER-USA | 1 | |
| 6 | | 266016 | ADAPTER-AUSTRALIA | 1 | |
| 7 | | 265516 | BATTERY 12 V-6.5Ah UNFILLED RTX YUASA-ROTAX Not available via airfreight | 1 | |
| 8 | | 864950 | FLAT CONNECTOR | 2 | |
| 9 | | 481380 | BATTERY FIXATION KIT | 1 | |
| 10 | | 266022 | CONNECTOR CABLE FOR BATTERY CHARGER 125 | 1 | |
| 11 | | 581320 | BATTERYCHARGER ACTIVIA EASY 1202 | 1 | |
| 12 | N | 265031 | ROTAX Lithium Battery 12V / 4Ah Not available via airfreight | 1 | |
| 13 | | 581325 | BATTERY CHARGER OPTIMATE LITHIUM EU connector only Must not be used in Japan | 1 | |

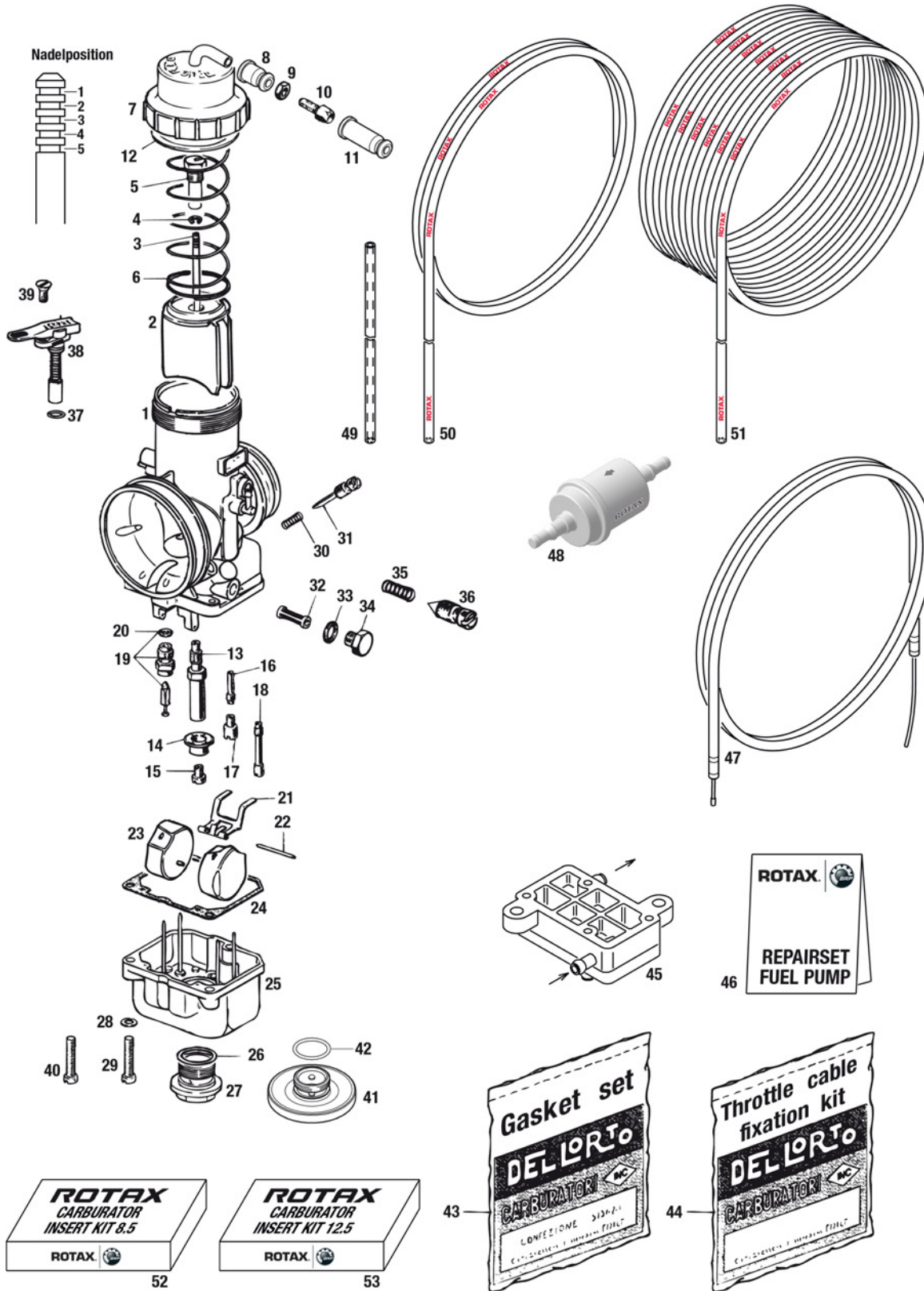
8 WIRING HARNESS



8 WIRING HARNESS

| # | NEW | PART# | DESCRIPTION | QTY | CHANGE |
|----|-----|--------|-------------------------------------------------|-----|--------|
| 1 | N | 666836 | WIRING HARNESS | 1 | |
| 2 | | 666902 | CHARGING PLUG CAP | 1 | |
| 3 | | 666904 | RELAY CAP | 2 | |
| 4 | | 866718 | TIE WRAP 94x2.5 MM | 2 | |
| 5 | | 651397 | TIE WRAP 250X4.8 MM | 6 | |
| 6 | | 866714 | TIE WRAP 142x3.2 MM | 5 | |
| 7 | | xxx | CONNECTOR ECU | 1 | |
| 8 | | xxx | CONNECTOR PICK UP SENSOR | 1 | |
| 9 | | xxx | CONNECTOR IGNITION COIL | 1 | |
| 10 | | xxx | CONNECTOR RAVE | 1 | |
| 11 | | xxx | CONNECTOR SHIFT CONTACT For 125 MAX DD2 only | 1 | |
| 12 | | xxx | CONNECTOR STARTER | 1 | |
| 13 | | xxx | CONNECTOR GROUND | 1 | |
| 14 | | xxx | CONNECTOR STARTER RELAY | 3 | |
| 15 | | xxx | CONNECTOR MULTIPLE FUNCTION SWITCH | 1 | |
| 16 | | xxx | CONNECTOR BATTERY | 2 | |
| 17 | | xxx | CONNECTOR BATTERY CHARGER | 1 | |

9 CARBURETTOR. CARBURETTOR ACCESSORIES



9 CARBURETTOR. CARBURETTOR ACCESSORIES

| # | NEW | PART# | DESCRIPTION | QTY | CHANGE |
|----|-----|--------|------------------------------------------------------------------------|-----|--------|
| 1 | | 295062 | DELL'ORTO CARBURETOR VHSB 34 XS DD2 Jetting "R 09808". Main jet 145 | 1 | |
| 2 | | 262031 | CARBURATOR SLIDE 45 Standard | 1 | |
| 3 | | 261192 | JET NEEDLE K 57 Standard | 1 | |
| 4 | | 245630 | CLIP | 1 | |
| 5 | | 261270 | NIPPLE SCREW | 1 | |
| 6 | | 239885 | THROTTLE VALVE SPRING | 1 | |
| 7 | | 261427 | CARBURETOR COVER WITH BENT TUBE ASSY. | 1 | |
| 8 | | xxx | RUBBER GROMMET SMALL Use throttle cable fixation kit 268040 | 1 | |
| 9 | | xxx | HEX.NUT M6x0.75 Use throttle cable fixation kit 268040 | 1 | |
| 10 | | xxx | ADJUSTMENT SCREW M6x0.75 Use throttle cable fixation kit 268040 | 1 | |
| 11 | | xxx | RUBBER GROMMET BIG Use throttle cable fixation kit 268040 | 1 | |
| 12 | | xxx | GASKET Use gasket kit 293834 | 1 | |
| 13 | | 262042 | NEEDLE JET DP 267 Standard | 1 | |
| 14 | | 261550 | MAIN JET CUP | 1 | |
| 15 | | 282991 | MAIN JET KIT 105 - 120 | 1 | |
| 15 | N | 282990 | MAIN JET KIT 128 - 138 Recommended for DD2 category | 1 | |
| 15 | | 281476 | MAIN JET KIT 115-118-120-122-125-128-130 | 1 | |
| 15 | | 281474 | MAIN JET KIT 190-192-195-198-200 | 1 | |
| 15 | | 281473 | MAIN JET KIT 132-135-138-140-142 | 1 | |
| 15 | | 281472 | MAIN JET KIT 175-178-180-182-185-188 | 1 | |
| 15 | | 281471 | MAIN JET KIT 145-148-150-152-155-158 | 1 | |
| 15 | | 281470 | MAIN JET KIT 160-162-165-168-170-172 | 1 | |
| 16 | | 281885 | IDLE JET INSERT SET Optional | 1 | |
| 17 | | 281882 | IDLE JET KIT 30-35-40-45-50-55-60 Optional | 1 | |
| 18 | | 261895 | STARTING JET 60 Standard | 1 | |

9 CARBURETTOR. CARBURETTOR ACCESSORIES

| # | NEW | PART# | DESCRIPTION | QTY | CHANGE |
|----|-----|--------|---------------------------------------------------|-----|--------|
| 19 | | 261881 | NEEDLE VALVE 200 Optional | 1 | |
| 19 | | 261880 | NEEDLE VALVE 150 Standard | 1 | |
| 20 | | xxx | GASKET Use gasket kit 293834 | 1 | |
| 21 | | 261290 | FLOAT BRACKET | 1 | |
| 22 | | 229271 | FLOAT PIN | 1 | |
| 23 | | 268032 | FLOAT 4.0 GR. Standard | 2 | |
| 23 | | 268031 | FLOAT 3.6 GR. Optional | 2 | |
| 23 | | 268030 | FLOAT 5.2 GR. Optional | 2 | |
| 24 | | xxx | GASKET Use gasket kit 293834 | 1 | |
| 25 | | xxx | FLOAT CHAMBER Not available as spare part | 1 | |
| 26 | | xxx | GASKET Use gasket kit 293834 | 1 | |
| 27 | | 261373 | PLUG SCREW Standard | 1 | |
| 28 | | 845312 | LOCK WASHER VHZ 5 | 3 | |
| 29 | | 262020 | ALLEN SCREW M5X20 | 2 | |
| 30 | | 268044 | ADJUSTMENT SCREW KIT Ill.no. 30-31 | 1 | |
| 30 | | xxx | COMPRESSION SPRING | 1 | |
| 31 | | xxx | ADJUSTMENT SCREW | 1 | |
| 32 | | 268042 | FUEL SIEVE KIT Ill.no. 32-34 | 1 | |
| 32 | | xxx | FUEL FILTER optional | 1 | |
| 33 | | xxx | GASKET | 1 | |
| 34 | | xxx | PLUG SCREW | 1 | |
| 35 | | xxx | COMPRESSION SPRING Not available as spare part | 1 | |
| 36 | | xxx | ADJUSTMENT SCREW Not available as spare part | 1 | |
| 37 | | xxx | GASKET Use gasket kit 293834 | 1 | |

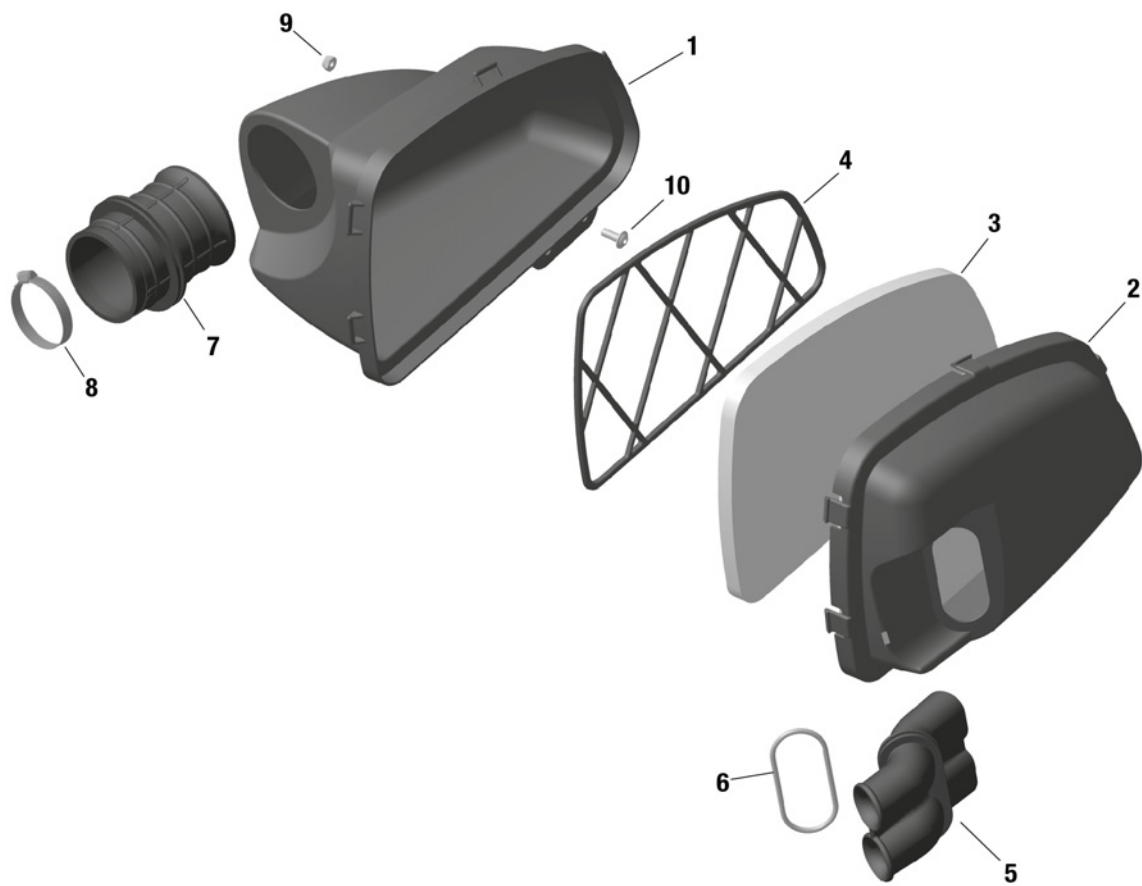
9 CARBURETTOR. CARBURETTOR ACCESSORIES

| # | NEW | PART# | DESCRIPTION | QTY | CHANGE |
|----|-----|--------|--------------------------------------------------|-----|--------|
| 38 | | 261915 | CHOKE LEVER ASSY. | 1 | |
| 39 | | 240505 | COUNTERSUNK SCREW M4.5X10 | 1 | |
| 40 | | 240184 | ALLEN SCREW M5X20 Screw with hole for sealing | 1 | |
| 41 | | 261030 | CARBURETOR PLUG SCREW Optional | 1 | |
| 42 | | 230890 | O RING 17-2.5 | 1 | |
| 43 | | 293834 | GASKET SET For carburettor | 1 | |
| 44 | | 268040 | THROTTLE CABLE FIXATION KIT | 1 | |
| 45 | | 994483 | MIKUNI-FUEL PUMP | 1 | |
| 46 | | 296165 | GASKET SET FUEL PUMP | 1 | |
| 47 | | 297122 | CABLE BOWDEN ASSY. THROTTLE For carburettor | 1 | |
| 48 | | 274161 | FUEL FILTER WITH ROTAX PRINT | 1 | |
| 49 | | 260260 | AIR VENT HOSE 180 mm +/- 1 mm | 1 | |
| 50 | | 974562 | TUBE A5X8/2500 MM | 1 | |
| 51 | | 570910 | TUBE 5X8 MM / 50M ROLL ROTAX PRINTED Optional | 1 | |
| 52 | | 281822 | CARBURETOR INSERT KIT 8.5 Standard | 1 | |
| 53 | | 281820 | CARBURETOR INSERT KIT 12.5 | 1 | |

10 RADIATOR. RADIATOR ACCESSORIES

| # | NEW | PART# | DESCRIPTION | QTY | CHANGE |
|----|-----|--------|------------------------------------------|-----|--------|
| 1 | | 295926 | RADIATOR WITH CAP ASSY. Ill.no. 1-6 | 1 | |
| 2 | | 222750 | RADIATOR CAP WITH GASKET 1.0 BAR | 1 | |
| 3 | | 201224 | RADIATOR FLAP DD2 | 1 | |
| 4 | | 440751 | ALLEN SCREW W. ROUNDED FLANGE HEAD M6X16 | 2 | |
| 5 | | 244211 | WASHER 6.4 DIN 134 | 2 | |
| 6 | | 842041 | LOCK NUT M6 - 6.6 | 2 | |
| 7 | N | 660440 | RUBBER GROMMET | 2 | |
| 8 | | 222742 | COOLING-WATER HOSE NW 18 | 2 | |
| 9 | | 951870 | CLAMP 16-25 | 4 | |
| 10 | | 660522 | RUBBER BUFFER 18X15XM6 | 3 | |
| 11 | | 244211 | WASHER 6.4 DIN 134 | 6 | |
| 12 | | 842041 | LOCK NUT M6 - 6.6 | 6 | |
| 13 | | 251430 | CABLE CLAMP 26/M6 | 3 | |
| 14 | | 440751 | ALLEN SCREW W. ROUNDED FLANGE HEAD M6X16 | 3 | |
| 15 | N | 582923 | RADIATOR STICKER 125 MAX DD2 EVO | 1 | |

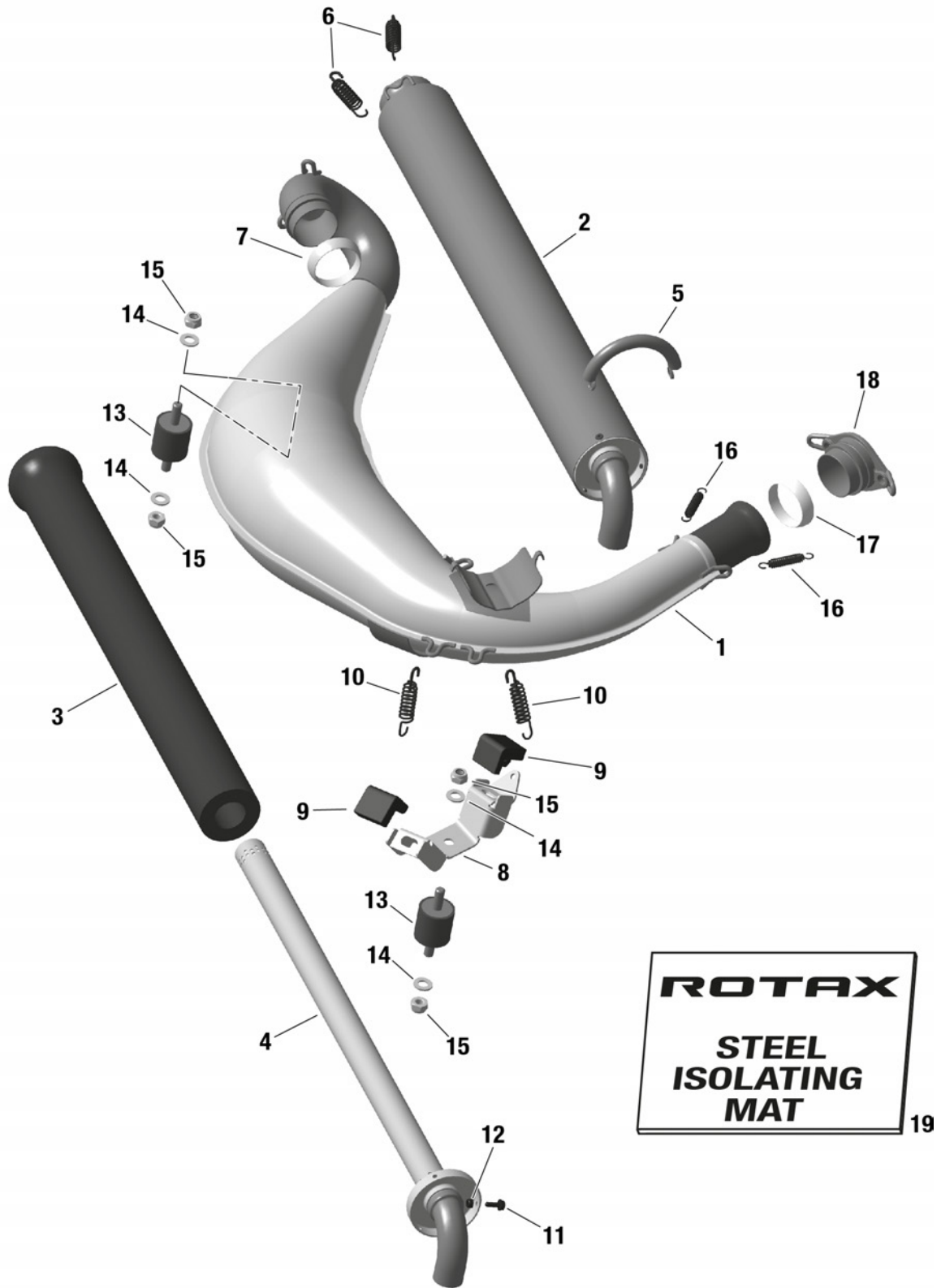
11 INTAKE SILENCER. AIR FILTER



11 INTAKE SILENCER. AIR FILTER

| # | NEW | PART# | DESCRIPTION | QTY | CHANGE |
|----|-----|--------|-------------------------------------------------------------------------------------------------------|-----|--------|
| 1 | | 225013 | INTAKE SILENCER CASE | 1 | |
| 2 | | 225023 | INTAKE SILENCER COVER | 1 | |
| 3 | | 225054 | FILTER ELEMENT | 1 | |
| 4 | | 225062 | HOLDER FOR FILTER ELEMENT | 1 | |
| 5 | | 225041 | INTAKE SILENCER TUBE | 1 | |
| 6 | | 650500 | O-RING DIN 3771-59.52X2.62-N. NBR 70 O-Ring is only necessary for old airbox(225012 and 225022) | 1 | |
| 7 | | 225031 | CARBURETOR SOCKET | 1 | |
| 8 | | 951791 | CLAMP 50-70 | 1 | |
| 9 | | 842041 | LOCK NUT M6 - 6.6 | 1 | |
| 10 | | 440751 | ALLEN SCREW W. ROUNDED FLANGE HEAD M6X16 | 1 | |

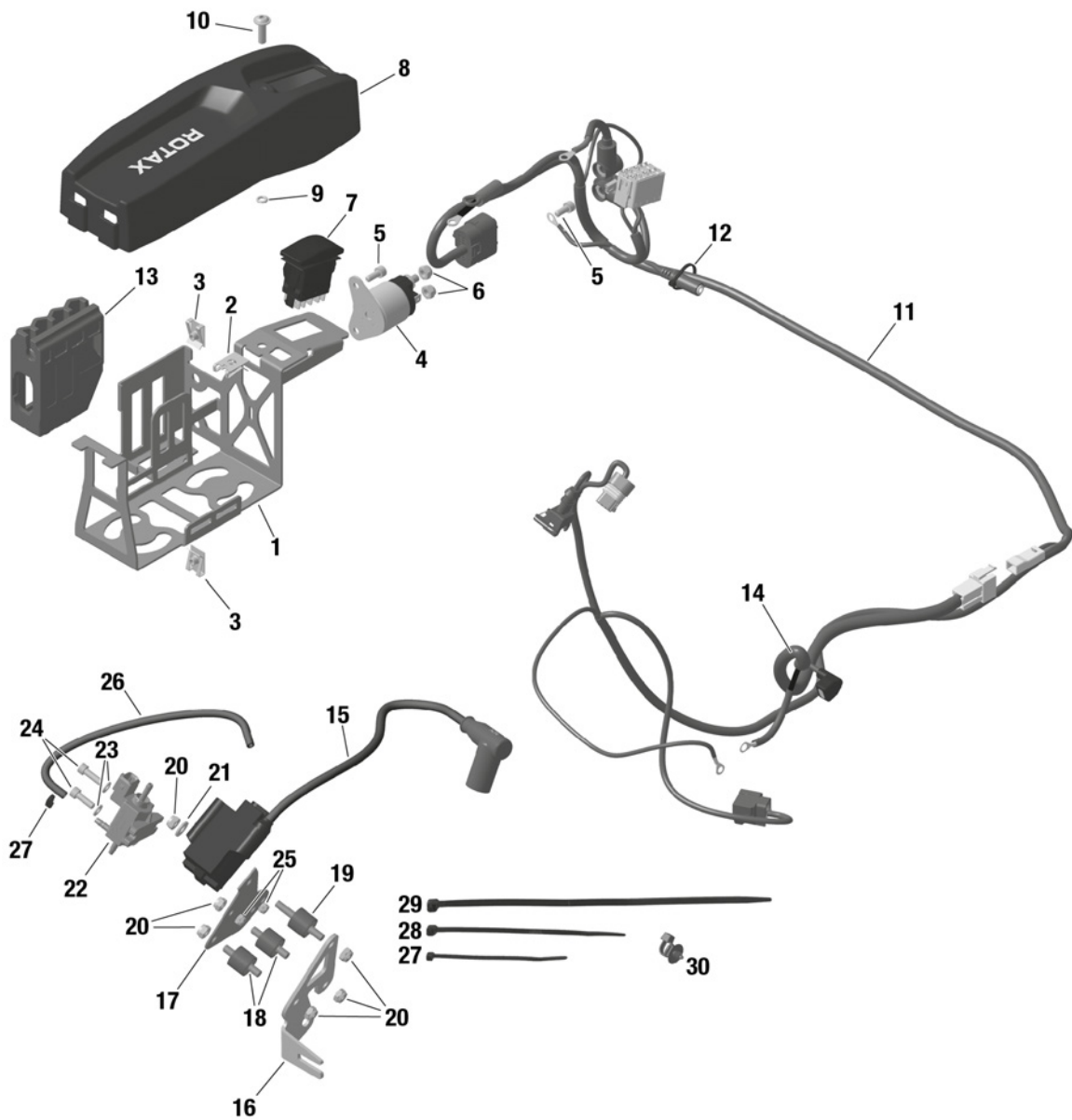
12 EXHAUST SYSTEM



12 EXHAUST SYSTEM

| # | NEW | PART# | DESCRIPTION | QTY | CHANGE |
|----|-----|--------|--------------------------------------------------------------------------------------|------|--------|
| 1 | | 273180 | EXHAUST SYSTEM 125 MAX DD2 EVO Ill.no. 1-7 | 1 | |
| 1 | | 273185 | EXHAUST MUFFLER ASSY. 125 MAX DD2 EVO | 1 | |
| 2 | | 273220 | SILENCER ASSY. Ill.no. 2-4 | 1 | |
| 3 | | 297982 | ISOLATING MAT | 1 | |
| 4 | | 273210 | PERFORATED TUBE ASSY. | 1 | |
| 5 | | 238945 | TENSION SPRING | 2 | |
| 6 | | 938798 | SPRING STAINLESS | 2 | |
| 7 | | 450360 | EXHAUST GASKET | 1 | |
| 8 | | 651075 | RETAINING PLATE | 1 | |
| 9 | | 201720 | RUBBER BUFFER | 2 | |
| 10 | | 938798 | SPRING STAINLESS | 2 | |
| 11 | | 440292 | ALLEN SCREW ISO 4762 - M4x12 - 8.8 As replacement for rivets in case of repair | 3 | |
| 12 | | 242538 | LOCK NUT DIN 985-M4-A2 As replacement for rivets in case of repair | 3 | |
| 13 | | 660920 | RUBBER BUFFER 30X30XM8 | 2 | |
| 14 | | 250313 | WASHER 8.4 STAINLESS STEEL | 4 | |
| 15 | | 942031 | LOCK NUT DIN 985-M8-8.8 | 4 | |
| 16 | | 938798 | SPRING STAINLESS | 2 | |
| 17 | | 450360 | EXHAUST GASKET | 1 | |
| 18 | | xxx | EXHAUST SOCKET ASSY See Chap. 2. Pos. 30 | 1 | |
| 19 | | 297983 | ISOLATING MAT STEEL WITH TIE WRAP | 0.01 | |

13 EVO UPGRADE KIT IGNITION



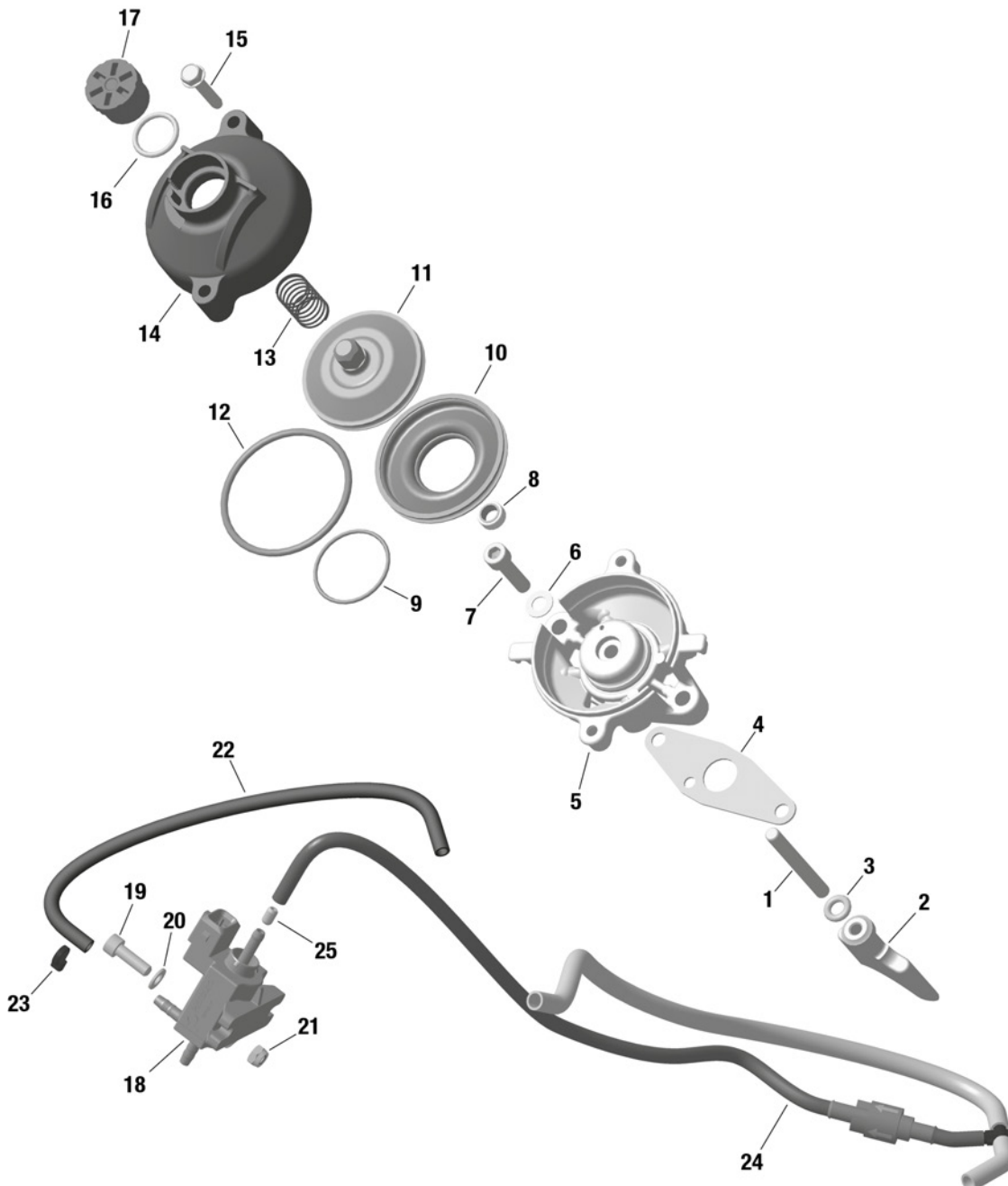
13 EVO UPGRADE KIT IGNITION

| # | NEW | PART# | DESCRIPTION | QTY | CHANGE |
|----|-----|--------|-----------------------------------------------------|-----|--------|
| 1 | | 251124 | BATTERY CLAMP EVO ASSY. Ill. no. 1-13 | 1 | |
| 1 | | xxx | BATTERY CLAMP See Chapter 06 Pos. 16 | 1 | |
| 2 | | xxx | SHEET NUT M6 See Chapter 06 Pos. 23 | 1 | |
| 3 | | xxx | SHEET NUT M5 See Chapter 06 Pos. 17 | 1 | |
| 4 | | xxx | STARTER RELAY ASSY. See Chapter 06 Pos. 18 | 1 | |
| 5 | | xxx | ALLEN SCREW ISO 4762 See Chapter 06 Pos. 19 | 1 | |
| 6 | | xxx | LOCK NUT M6 See Chapter 06 Pos. 20 | 1 | |
| 7 | | xxx | MULTIPLE FUNCTION SWITCH See Chapter 06 Pos. 26 | 1 | |
| 8 | | xxx | BATTERY COVER See Chapter 06 Pos. 31 | 1 | |
| 9 | | xxx | O-RING 5x2 See Chapter 06 Pos. 32 | 1 | |
| 10 | | xxx | ALLEN SCREW M6X20 See Chapter 06 Pos. 33 | 1 | |
| 11 | | xxx | WIRING HARNESS See Chapter 08 Pos. 01 | 1 | |
| 12 | | xxx | TIE WRAP 94x2.5 See Chapter 08 Pos. 04 | 1 | |
| 13 | | xxx | RUBBER PAD See Chapter 06 Pos. 22 | 1 | |
| 14 | | 265532 | CABLE ASSY. | 1 | |
| 15 | | 666826 | IGNITION COIL With spark plug cap 866707 (red) | 1 | |
| 15 | | 666825 | IGNITION COIL With spark plug cap 866708 (black) | 1 | |
| 16 | | 651067 | RETAINING PLATE | 1 | |
| 17 | | 651925 | MOUNTING PLATE | 1 | |
| 18 | | 660522 | RUBBER BUFFER 18X15XM6 | 2 | |
| 19 | | 660520 | RUBBER BUFFER 18X15XM6 | 1 | |
| 20 | | 842041 | LOCK NUT M6 - 6.6 | 6 | |
| 21 | | 244211 | WASHER 6.4 DIN 134 | 1 | |

13 EVO UPGRADE KIT IGNITION

| # | NEW | PART# | DESCRIPTION | QTY | CHANGE |
|----|-----|--------|------------------------------------------|-----|--------|
| 22 | | xxx | Included in kit 481260 Ill. no. 22-27 | 1 | |
| 27 | | 866718 | TIE WRAP 94x2.5 MM | 1 | |
| 28 | | 866714 | TIE WRAP 142x3.2 MM | 1 | |
| 29 | | 651397 | TIE WRAP 250X4.8 MM | 1 | |
| 30 | | 951341 | TIE WRAP WITH MOUNT 202X4.6 | 1 | |

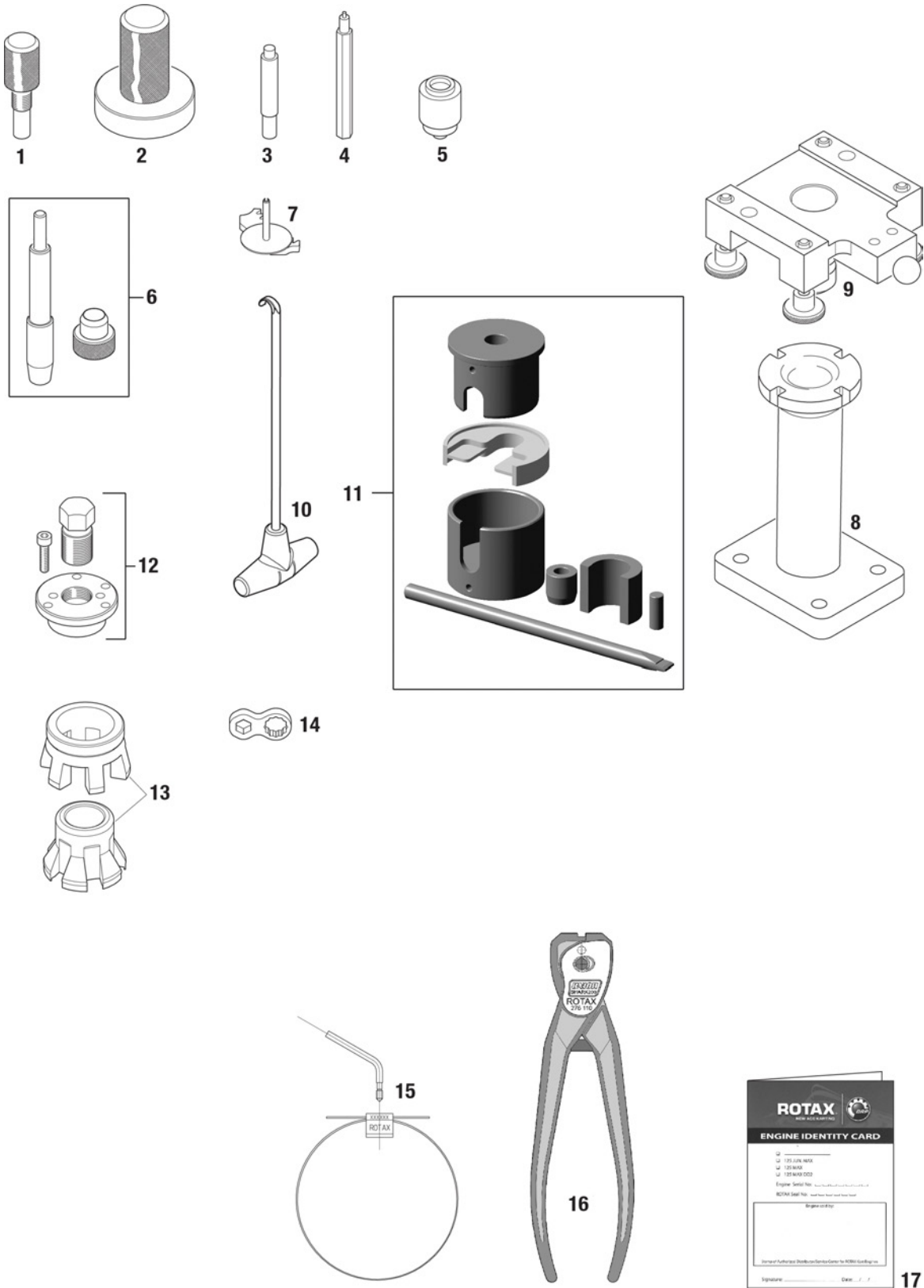
14 EVO UPGRADE KIT E-EXHAUST VALVE



14 EVO UPGRADE KIT E-EXHAUST VALVE

| # | NEW | PART# | DESCRIPTION | QTY | CHANGE |
|----|-----|--------|-------------------------------------------------|-----|--------|
| 1 | | 441358 | STUD M6X52.5 MK | 1 | |
| 1 | | 481260 | EVO UPGRADE KIT E-EXHAUST VALVE Ill.no. 1-25 | 1 | |
| 2 | | 253725 | EXHAUST VALVE | 1 | |
| 3 | | 230261 | O-RING 6X2.5 NBR 70 RED | 1 | |
| 4 | | 250232 | GASKET | 1 | |
| 5 | | 253385 | VALVE ROD HOUSING KPL. | 1 | |
| 6 | | 845020 | SPRING WASHER B6 | 2 | |
| 7 | | 840866 | ALLEN SCREW ISO 4762 - M6x25 - 8.8 | 2 | |
| 8 | | 930500 | OIL SEAL 6X11X3/4.5 | 1 | |
| 9 | | 838255 | HOSE SPRING 70-1.7-0.3 | 1 | |
| 10 | | 260723 | BELLOW | 1 | |
| 11 | | 854440 | EXHAUST VALVE PISTON | 1 | |
| 12 | | 939280 | HOSE SPRING 134-3.0-0.65 | 1 | |
| 13 | | 239952 | COMPRESSION SPRING 48.5/0.8 MM | 1 | |
| 14 | | 911559 | VALVE COVER | 1 | |
| 15 | | 241271 | TAPTITE-SCREW M5X25 | 2 | |
| 16 | | 430220 | O-RING 15.9-2.3 | 1 | |
| 17 | | 241220 | ADJUSTMENT SCREW | 1 | |
| 18 | | 664630 | SOLENOID VALVE | 1 | |
| 19 | | 840514 | ALLEN SCREW ISO 4762 - M5x16 - 8.8 | 2 | |
| 20 | | 927574 | WASHER 5.3 DIN 125 | 2 | |
| 21 | | 842032 | LOCK NUT M5-6.6 | 2 | |
| 22 | | 660575 | PRESSURE LINE 220 MM | 1 | |
| 23 | | 866718 | TIE WRAP 94x2.5 MM | 1 | |
| 24 | | 651010 | HOSE PACKAGE RAVE CONTROL UNIT | 1 | |
| 25 | | 956305 | IMPULSE NOZZLE Optional | 1 | |

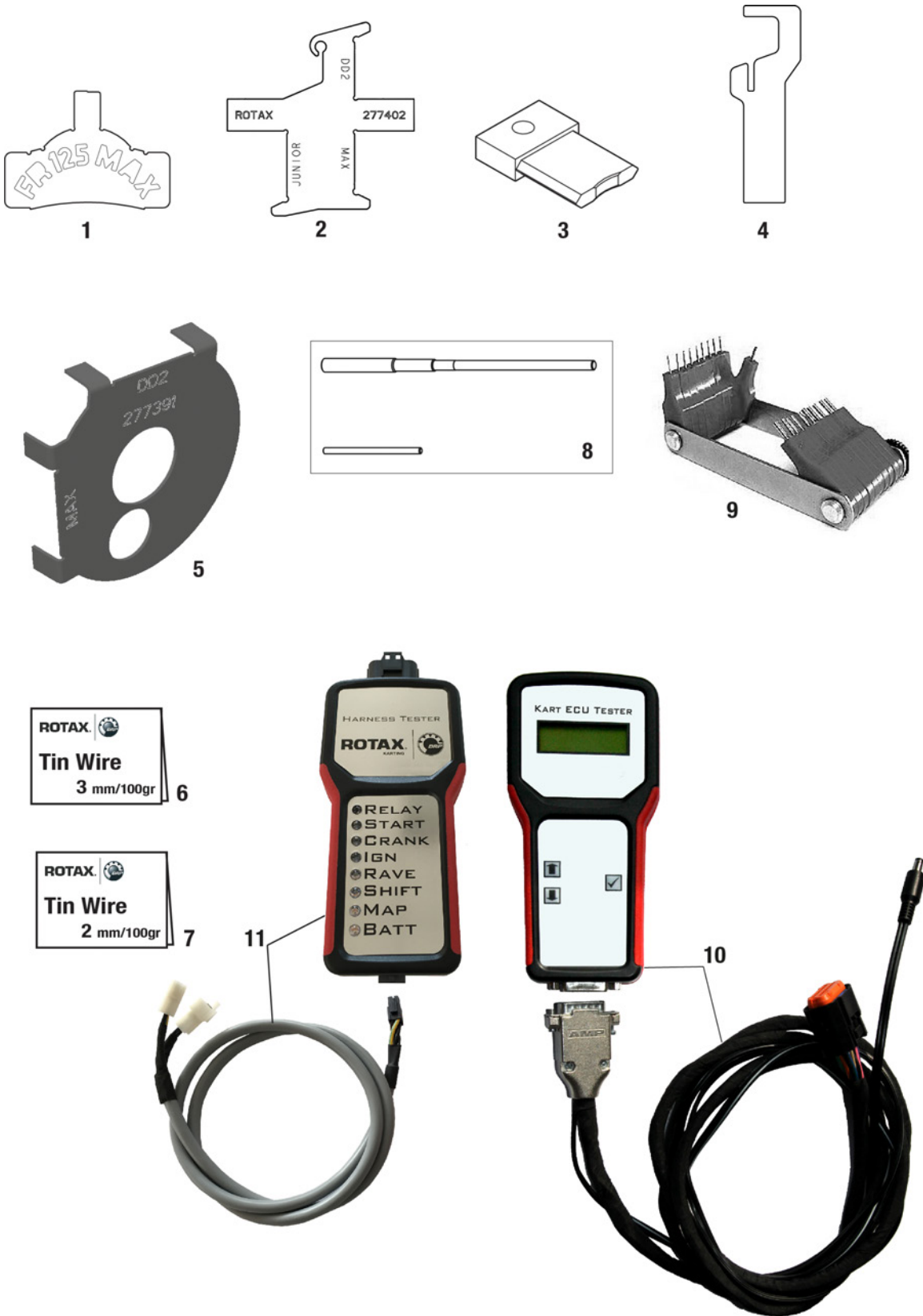
15 REPAIR TOOLS



15 REPAIR TOOLS

| # | NEW | PART# | DESCRIPTION | QTY | CHANGE |
|----|-----|--------|-------------------------------------------------------------------------------------------------|-----|--------|
| 1 | | 277381 | FIXATION TOOL FOR CRANKSHAFT For blocking the crankshaft | 1 | |
| 2 | | 676022 | INSERTION JIG For oil seal of hollow shaft | 1 | |
| 3 | | 676030 | INSERTION JIG For needle bushing of E-starter | 1 | |
| 4 | | 676032 | INSERTION JIG For slotted spring pin of waterpump impeller | 1 | |
| 5 | | 676021 | INSERTION JIG For oil seals of waterpump shaft | 1 | |
| 6 | | 676035 | INSERTION TOOL For installation of piston pin circlips | 1 | |
| 7 | | 676202 | FIXATION TOOL ASSY. DD2 For blocking the starter gear For engine version no. Diecast | 1 | |
| 8 | | 877930 | TRESTLE SUPPORT | 1 | |
| 9 | | 676052 | FIXING PLATE FOR ENGINE For ROTAX engine types FR 125 MAX / 125 MAX DD2 | 1 | |
| 10 | | 251680 | SPRING HOOK For exhaust springs | 1 | |
| 11 | N | 276052 | CRANKSHAFT REPAIR JIG | 1 | |
| 12 | | 276016 | PULLER ASSY. | 1 | |
| 13 | | 276070 | ASSEMBLY TOOL BELLOW SPRING EXHAUST V. | 1 | |
| 14 | | 676110 | WRENCH ADAPTER 11/8 | 1 | |
| 15 | | 297041 | ROTAX-SEAL WITH BARCODE BLACK With registered serial no. For authorised distributors only | 1 | |
| 16 | | 276110 | ROTAX SEAL CALLIPER For authorised distributors only | 1 | |
| 17 | | 297240 | ENGINE IDENTITY CARD For authorised distributors only | 1 | |

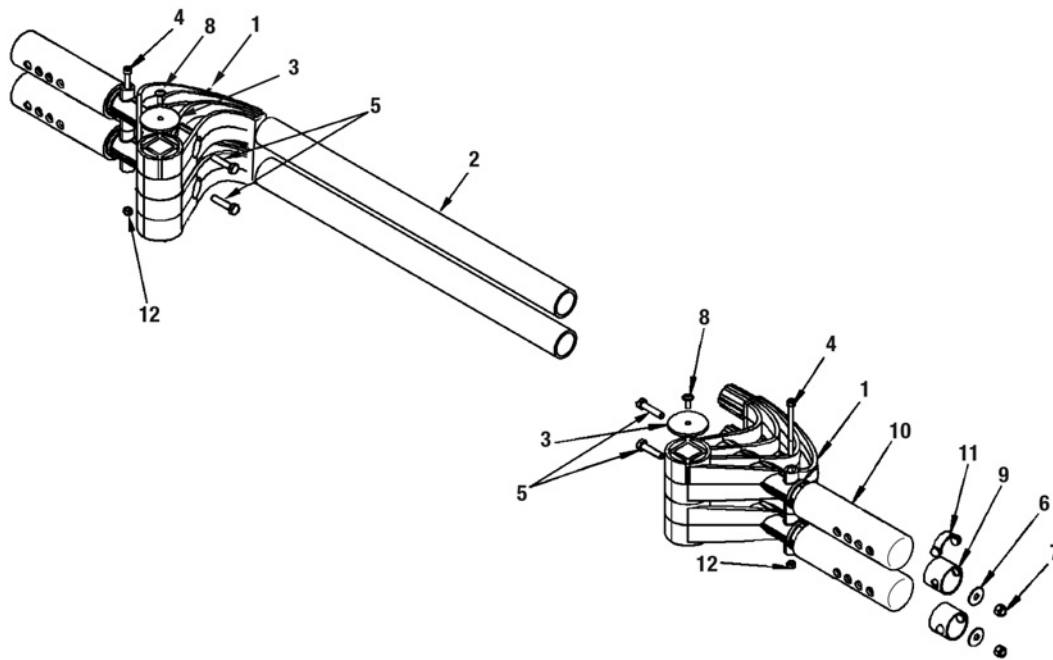
16 SCRUTINEERING TOOLS



16 SCRUTINEERING TOOLS

| # | NEW | PART# | DESCRIPTION | QTY | CHANGE |
|----|-----|--------|------------------------------------|-----|--------|
| 1 | | 277390 | COMBUSTION CHAMBER INSERT TEMPLATE | 1 | |
| 2 | | 277402 | EXHAUST PORT HEIGHT TEMPLATE | 1 | |
| 3 | | 277030 | EXHAUST VALVE GAUGE | 1 | |
| 4 | | 277400 | CONTROL TEMPLATE CARBURETOR VHSB34 | 1 | |
| 5 | | 277391 | GAUGE CRANKSHAFT | 1 | |
| 6 | | 580132 | TIN WIRE 3 MM-100 GR | 1 | |
| 7 | | 580130 | TIN WIRE 2 MM-100 GR | 1 | |
| 8 | | 676034 | FITTING MANDREL VENTURI | 1 | |
| 9 | | 281920 | JET GAUGE SET 0.45 - 1.50 MM | 1 | |
| 10 | | 276230 | ECU tester For Dellorto ECU | 1 | |
| 11 | | 276231 | WIRING HARNESS TESTER | 1 | |

17 REAR TIRE PROTECTION SYSTEM



17 REAR TIRE PROTECTION SYSTEM

| # | NEW | PART# | DESCRIPTION | QTY | CHANGE |
|----|-----|--------|----------------------------------------------------------|-----|--------|
| 1 | | 660600 | REAR BUMPER | 4 | |
| 1 | | 281570 | REAR TIRE PROTECTION SYSTEM ASSY. MOD.05 Ill.no. 1-12 | 1 | |
| 2 | | 570060 | REAR FENDER TUBE 40X3.7X550 | 2 | |
| 3 | | 570120 | DISTANCE WASHER 52X4 | 2 | |
| 4 | | 241503 | ALLEN SCREW ISO 4762 - M6x80 - 8.8 | 2 | |
| 5 | | 241342 | HEX. SCREW ISO 4017 - M8X35 - 10.9 | 4 | |
| 6 | | 627960 | WASHER 8/25/1.8 | 4 | |
| 7 | | 942031 | LOCK NUT DIN 985-M8-8.8 | 4 | |
| 8 | | 440751 | ALLEN SCREW W. ROUNDED FLANGE HEAD M6X16 | 2 | |
| 9 | | 233130 | ANTIFRICTION BUSHING | 4 | |
| 10 | | 570056 | TYRE PROTECTION ROLLER 50X4.6X178 | 4 | |
| 11 | | 570080 | SPRING ELEMENT | 4 | |
| 12 | | 842041 | LOCK NUT M6 - 6.6 | 4 | |

18 ACCESSORIES



2



1



3



4

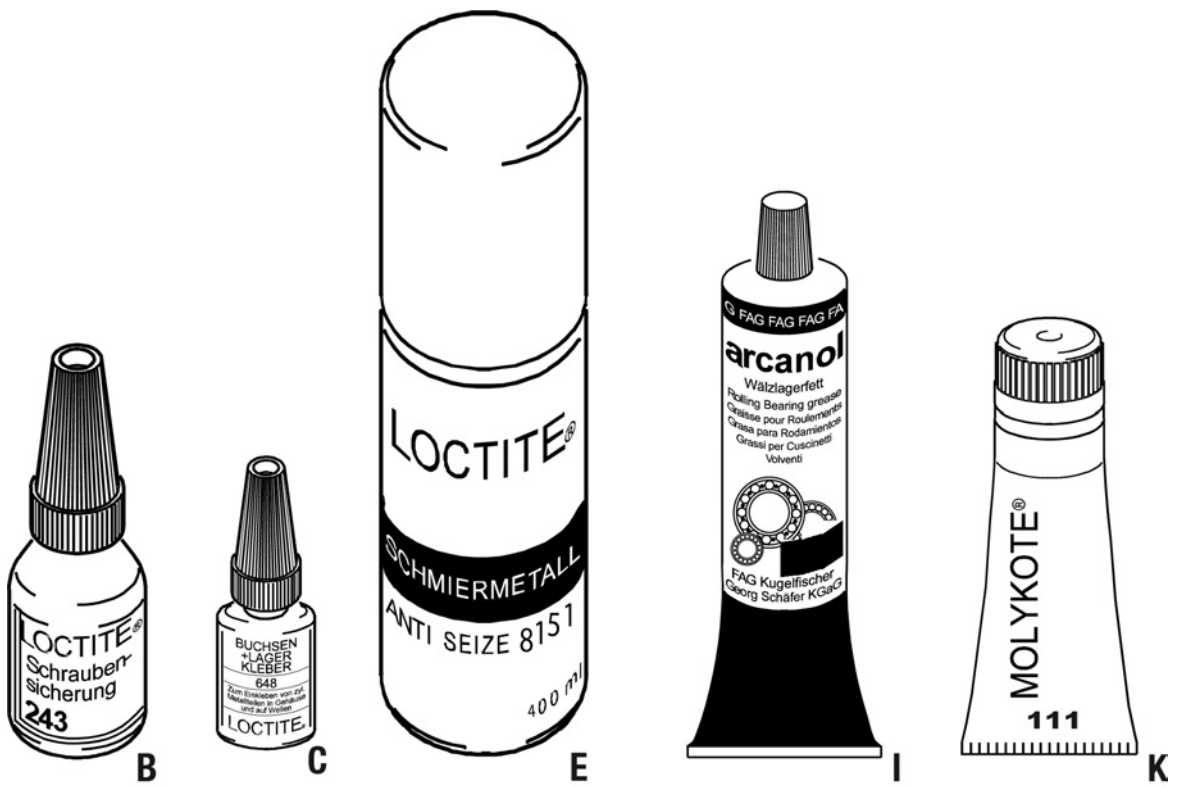


5

18 ACCESSORIES

| # | NEW | PART# | DESCRIPTION | QTY | CHANGE |
|---|-----|--------|---------------------------------|-----|--------|
| 1 | N | 276103 | DIGITAL TIRE PRESSURE GAUGE | 1 | |
| 2 | | 581381 | DIGITAL HOURMETER ROTAX | 1 | |
| 3 | | 581385 | SYRINGE 60 ML | 1 | |
| 4 | | 276220 | JET HOLDER ROTAX | 1 | |
| 5 | | 282880 | FOLDABLE BOX 430X362X295 INSIDE | 1 | |

19 SERVICE PRODUCTS



19 SERVICE PRODUCTS

| # | NEW | PART# | DESCRIPTION | QTY | CHANGE |
|---|-----|--------|-------------------------------------------------------------|------|--------|
| 1 | | 897651 | LOCTITE 243 BLUE. 10 CC. Illustration letter B | 0.01 | |
| 2 | | 899788 | LOCTITE 648 GREEN. 5 GR. Illustration letter C | 0.01 | |
| 3 | | 297438 | LOCTITE ANTI SEIZE 15378 400 ML Illustration Letter E | 1 | |
| 4 | | 897330 | LITHIUM-BASE GREASE. 250 GR.. Illustration letter I | 0.01 | |
| 5 | | 899564 | GREASE KLUEBER ISOFLEX TOPAS NB 52 Illustration letter W | 0.01 | |

ROTAX®



XPS



XPS® and the BRP Logo are trademarks of Bombardier Recreational Products Inc. or its affiliates.

WWW.BRP.COM - WWW.KART-ROTAX.COM



XPS® KART TEC IS MANUFACTURED BY PETROMARK AUTOMOTIVE CHEMICALS BV - BEVERWIJK, THE NETHERLANDS
PHONE: +31 251 211 397 • INFO@PETROMARK.EU
PM XERAMIC® IS A REGISTERED TRADEMARK OF PETROMARK AUTOMOTIVE CHEMICALS BV

POWERED BY **Xeramic** TECHNOLOGY

ROTAX



XPS



XPS KART TEC® 2018 PRODUCT CATALOGUE

POWERED BY **Xeramic** TECHNOLOGY

**XPS® KART TEC SYNMAX FULL SYNTHETIC
2T KART RACING OIL**

Part No: 25470 Contents: 1 Ltr.



XPS® KART TEC SYNMAX 2 STROKE FULLY SYNTHETIC KART RACING OIL is the superior pre mix racing 2-stroke oil specially developed for ROTAX 125 MAX engine family. Official oil of the Rotax Max Challenge, Euro Challenge and Rotax Grand Finals.

Formulated to provide:

- Outstanding lubricity under extreme conditions (high revolutions, high temperature)
- Optimum deposit control for a clean engine and exhaust valve
- Maximum power output without compromising component protection
- Easy to blend and long term stability in fuel/oil mixture

For ROTAX 125 MAX engines use mixing ratio of:

1:30 (3% oil) for break in

1:50 (2% oil) for optimum performance

For other engines follow mixing instruction of engine manufacturer.

XPS KART TEC SYNMAX 2T OIL



XPS® KART TEC BEARING LUBE

Part No: 25406 Contents: 400 ml

XPS® KART TEC BEARING LUBE is specially developed for the optimum lubrication of kart axle and wheel bearings. The special formulation guarantees superb lubrication with low viscosity which results in smoother, faster running bearings and also helps to displace water during wet weather. It is suitable for all ball and roller bearings as well as ball joints such as track rod ends. For best performance apply before every race or practice session.

XPS KART TEC BEARING LUBE



XPS® KART TEC DD2 KART GEAR OIL

Part No: 25473 Contents: 1 Ltr

XPS® KART TEC DD2 KART GEAR OIL is especially developed for the ROTAX MAX DD2 high performance kart engines. Reduces wear and is temperature resistant. For the correct dosage follow the engine manufacturer recommendations. We advise to change the XPS® KART TEC DD2 KART GEAR OIL every 5 working hours.

XPS KART TEC DD2 GEAR OIL



XPS® KART TEC KART GEAR OIL

Part No: 25472 Contents: 1 Ltr

XPS® KART TEC KART GEAR OIL is especially developed for the ROTAX MAX high performance kart engines. Reduces wear and is temperature resistant. For the correct dosage follow the engine manufacturer recommendations. Not suitable for kart engines with manual gearboxes! We advise to change the XPS® KART TEC KART GEAR OIL every 5 working hours.

XPS® KART TEC KART GEAR OIL



XPS® KART TEC KART CHAIN LUBE

Part No: 25110 Contents: 500 ml

XPS® KART TEC KART CHAIN LUBE is especially developed for optimum lubrication and protection of kart chains under extreme circumstances. The special formulation guarantees an extremely sticky lubrication under all weather conditions and temperatures! Shake can before use! O-ring tested!

XPS KART TEC CHAIN LUBE



XPS® KART TEC SYNTHETIC CHAIN SPRAY

Part No: 25108 Contents: 500 ml

XPS® KART TEC SYNTHETIC CHAIN SPRAY is an advanced chain spray with long-life properties, based on ceramic material. This unique material, originally developed for use in space flight, has now been given a revolutionary application by XPS® KART TEC. XPS® KART TEC SYNTHETIC CHAIN SPRAY is composed of synthetic elements, enriched with ceramic material and special additives that result in a unique lubrication. XPS® KART TEC SYNTHETIC CHAIN SPRAY does not dry-out, it keeps the chain flexible and is heat-resistant. O-ring tested!

XPS® KART TEC CHAIN SPRAY



XPS® KART TEC WHITE CHAIN SPRAY

Part No: 25112 Contents: 500 ml

XPS® KART TEC WHITE CHAIN SPRAY. Based on high-tech ceramic material for optimal and long-term lubrication and protection under all circumstances. Great adhesive qualities, superb penetration, corrosion resistance, reduces wear and friction, keeps the chain flexible and is heat resistant. O-ring tested!

XPS® KART TEC WHITE CHAIN



XPS® KART TEC CERAMIC MULTI SPRAY

Part No: 25405 Contents: 500 ml

XPS® KART TEC CERAMIC MULTI SPRAY. General maintenance lubricant with high-tech ceramic material for optimal and long-life protection. The ceramic material resists high temperatures and lubricates under all extreme circumstances. It has excellent water-resistance, great penetrating characteristics and sticks to any surface. Protects against corrosion and preserves rubber parts. For lubrication and protection of bearings, ball bearings, cables etc.

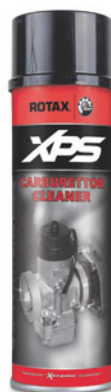
XPS® KART TEC MULTI SPRAY



XPS® KART TEC BRAKE CLEANER
Part No: 25315 Contents: 500 ml

XPS® KART TEC BRAKE CLEANER. Biodegradable multi cleaner for the effective and environmentally safe cleaning of brake components etc. Contains no chlorinated hydrocarbons. Does not corrode plastic and rubber components. A versatile, high-grade cleaning agent that even dissolves resinified contamination.

XPS® KART TEC BRAKE CLEANER



XPS® KART TEC CARBURETTOR CLEANER
Part No: 25311 Contents: 500 ml

XPS® KART TEC CARBURETTOR CLEANER dissolves gum, carbon and varnish deposits quick and effectively without dismantling the carburettor. Does not affect plastic and rubber parts and is free of chlorinated hydrocarbons. Suitable for all different types of carburettors used in karting.

XPS® KART TEC CARB CLEANER



XPS® KART TEC INSTANT GASKET BLACK
Part No: 25151 Contents: 200 ml

XPS® KART TEC INSTANT GASKET BLACK is designed for engines fitted with oxygen sensors. Ideal for replacement gaskets for valve covers, transmission and oil pans, water pumps, thermostat housings, asbestos, exhaust manifolds, thermostat housings and many more. Resists transmission fluids, water, oil and anti-freeze. Replaces cork, paper, felt and rubber gaskets. IMPORTANT: Not recommended for use on head gaskets or continuous immersion in gasoline. Withstands high temperatures up to 250°C (intermittent). Temperature range - 73°C up to + 250°C. Low volatile, oxygen sensor safe.

XPS® KART TEC GASKET BLACK



XPS® KART TEC HELMET VISOR CLEANER
Part No: 25404 Contents: 200 ml

XPS® KART TEC VISOR CLEANER. For thoroughly and effective cleaning of the helmet visor. Removes greasy finger marks and squashed insects without a problem and gives a sparkling finish to the helmet visor. Shake can well before use and spray sparingly onto surface. Wipe off immediately and polish with a clean and dry cloth.

XPS® KART TEC VISOR CLEANER



XPS® KART TEC HANDCLEANER YELLOW
Part No.: 25423 Contents: 600 ml
Part No.: 25426 Contents: 4 Ltr incl. pump

XPS® KART TEC HANDCLEANER YELLOW. Powerful citrus handcleaner for removing heavy duty industrial soiling. It's unique product formulation easily removes stubborn soiling like grease, tar, ink, adhesive and paint. Cleans and moisturises the hands and prevents skin irritation.

XPS® KART TEC HANDCLEANER



XPS® KART TEC BRAKE FLUID DOT 4
Part No: 25475
Contents: 250 ml

XPS® KART TEC BRAKE FLUID DOT 4 has been developed for use in all hydraulically operated brake and or clutch systems where a DOT 4 is specified.



XPS® KART TEC BRAKE FLUID DOT 5.1
Part No: 25476
Contents: 250 ml

XPS® KART TEC BRAKE FLUID DOT 5.1 has been developed for use in all hydraulically operated brake and or clutch systems where a DOT 5.1 is specified.

XPS KART TEC BRAKE FLUIDS



XPS® KART TEC 75 HAND CLEANING POWER WIPES
Part No: 25427 Contents: 75 pieces

Impregnated hand cleaning wipes. Large heavy-duty towels textured for exceptional cleaning. Ideally suitable for use where water is not available. Mild for skin. Provides a fresh scent to the hands.

XPS® KART TEC POWER WIPES



XPS® KART TEC KART CLEANER + PRESSURE SPRAYER
Part No: 25501 Contents: 5 Ltr.
Part No: 25935 Capacity: 1,5 Ltr

XPS® KART TEC KART CLEANER. A highly concentrated and effective biodegradable alkaline cleaner with a unique formulation which removes dirt easily. Completely safe to use on aluminium, chrome, synthetic material, painted surfaces, plastic and rubber parts. In case of extreme soiling allow to work up to 30 minutes maximum before rinsing off thoroughly. XPS® KART TEC KART CLEANER leaves a complete all over shine.

XPS® KART TEC KART CLEANER